



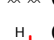












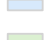















**PILOT MAP
AUGUST COMPLEX
CA-MNF-000753
8/27/2020**

-  TFR
-  Aviation Obstacle
-  Flight Route
-  Uncontrolled Fire Edge
-  Contained Line
-  Completed Dozer Line
-  Completed Hand Line
-  Active Burnout
-  Proposed Dozer Line
-  Planned Fire Line
-  Planned Secondary Line
-  Aerial Retardant Drop
-  Wildfire Daily Fire Perimeter
-  Active Burnout
-  Lake

- Management Agency**
-  BIA
 -  BLM
 -  COE
 -  ST
 -  USDA FS
 -  Administrative Forest
 -  Wilderness
-  Dip Site
 -  Drop Point
 -  Helispot
 -  Repeater

-  Forward Supply Base
-  Branch Break
-  Division Break
-  Cal Fire Branch Break
-  Cal Fire Division Break



Datum: NAD 1983

