



# INCIDENT ACTION PLAN

# SRF LIGHTNING COMPLEX

OPERATIONAL PERIOD  
10/1/2023 0700 – 10/2/23 0700  
SUNDAY

NOTES

- Briefing's
- IAP's
- Map's
- Check-in



- DMOB
- Finance
- Training
- OES Pep


**SRF LIGHTNING  
COMPLEX  
CA-SRF-000986  
P5 QKB4 (0510)**



# INCIDENT OBJECTIVES (ICS 202)

<b>1. Incident Name:</b> 2023 SRF Lightning Complex	<b>2. Operational Period:</b> <table style="width: 100%; border: none;"> <tr> <td style="border: none;">Date From:</td> <td style="border: none;">10/1/2023</td> <td style="border: none;">Date To:</td> <td style="border: none;">10/2/2023</td> </tr> <tr> <td style="border: none;">Time From:</td> <td style="border: none;">0700</td> <td style="border: none;">Time To:</td> <td style="border: none;">0700</td> </tr> </table>	Date From:	10/1/2023	Date To:	10/2/2023	Time From:	0700	Time To:	0700												
Date From:	10/1/2023	Date To:	10/2/2023																		
Time From:	0700	Time To:	0700																		
<b>3. Objective(s):</b> <b>Management Objectives</b> <ul style="list-style-type: none"> <li>- Prior to engagement, stop and discuss strategies and tactics to ensure sound risk management principles are in place to provide for firefighter and public safety.</li> <li>- Implement fire suppression activities in accordance with Incident Resource Advisors.</li> <li>- Minimize impacts to communities, cultural resources, natural resources including critical power, communications and other infrastructure, private property inholdings, Tribal Lands, timberlands, T.E.S. Species, and watersheds.</li> <li>- Effectively manage costs by selecting and implementing strategies based on values at risk.</li> </ul>																					
<b>Control Objectives</b> <ul style="list-style-type: none"> <li>- MOSQUITO &amp; MARLOW Keep the fires within the Six Rivers National Forest. Keep the fires within remote National Forest areas to protect heritage, cultural and natural resources.</li> <li>- PEARCH Maintain fire within its current perimeter.</li> </ul>																					
<b>General Situational Awareness:</b> <p>Steep and rugged terrain, active area for fire history and drought stressed trees.</p> <p>In the COVID-19 environment, high density populations or large groups are particularly at risk. To help protect yourself, your family, and to ensure all employees return home safely, make sure to practice social distancing.</p> <p>Enhanced hygiene (especially handwashing), PPE &amp; monitoring practices help limit the infection rate of first responders.</p>																					
<b>5. Site Safety Plan Required?</b> Yes <input type="checkbox"/> No <input checked="" type="checkbox"/>																					
<b>Approved Site Safety Plan(s) Located at:</b>																					
<b>6. Incident Action Plan</b> <table style="width: 100%; border: none;"> <tr> <td><input checked="" type="checkbox"/> ICS 203</td> <td><input type="checkbox"/> ICS 215A</td> <td><input type="checkbox"/> ICS 205 A</td> <td><input type="checkbox"/></td> </tr> <tr> <td><input checked="" type="checkbox"/> ICS 204</td> <td><input checked="" type="checkbox"/> ICS 220</td> <td><input checked="" type="checkbox"/> Training Message</td> <td><input type="checkbox"/></td> </tr> <tr> <td><input checked="" type="checkbox"/> ICS 205</td> <td><input checked="" type="checkbox"/> Facility Maps</td> <td><input type="checkbox"/> Travel Map</td> <td><input type="checkbox"/></td> </tr> <tr> <td><input checked="" type="checkbox"/> ICS 206</td> <td><input checked="" type="checkbox"/> Weather Forecast</td> <td><input checked="" type="checkbox"/> Demob Plan</td> <td><input checked="" type="checkbox"/> Human Resources Message</td> </tr> <tr> <td><input checked="" type="checkbox"/> ICS 208</td> <td><input checked="" type="checkbox"/> Fire Behavior</td> <td><input checked="" type="checkbox"/> Finance Message</td> <td><input checked="" type="checkbox"/> ICS 214</td> </tr> </table>		<input checked="" type="checkbox"/> ICS 203	<input type="checkbox"/> ICS 215A	<input type="checkbox"/> ICS 205 A	<input type="checkbox"/>	<input checked="" type="checkbox"/> ICS 204	<input checked="" type="checkbox"/> ICS 220	<input checked="" type="checkbox"/> Training Message	<input type="checkbox"/>	<input checked="" type="checkbox"/> ICS 205	<input checked="" type="checkbox"/> Facility Maps	<input type="checkbox"/> Travel Map	<input type="checkbox"/>	<input checked="" type="checkbox"/> ICS 206	<input checked="" type="checkbox"/> Weather Forecast	<input checked="" type="checkbox"/> Demob Plan	<input checked="" type="checkbox"/> Human Resources Message	<input checked="" type="checkbox"/> ICS 208	<input checked="" type="checkbox"/> Fire Behavior	<input checked="" type="checkbox"/> Finance Message	<input checked="" type="checkbox"/> ICS 214
<input checked="" type="checkbox"/> ICS 203	<input type="checkbox"/> ICS 215A	<input type="checkbox"/> ICS 205 A	<input type="checkbox"/>																		
<input checked="" type="checkbox"/> ICS 204	<input checked="" type="checkbox"/> ICS 220	<input checked="" type="checkbox"/> Training Message	<input type="checkbox"/>																		
<input checked="" type="checkbox"/> ICS 205	<input checked="" type="checkbox"/> Facility Maps	<input type="checkbox"/> Travel Map	<input type="checkbox"/>																		
<input checked="" type="checkbox"/> ICS 206	<input checked="" type="checkbox"/> Weather Forecast	<input checked="" type="checkbox"/> Demob Plan	<input checked="" type="checkbox"/> Human Resources Message																		
<input checked="" type="checkbox"/> ICS 208	<input checked="" type="checkbox"/> Fire Behavior	<input checked="" type="checkbox"/> Finance Message	<input checked="" type="checkbox"/> ICS 214																		
<b>7. Prepared By:</b> Jonathan Roberts	Position/Title: PSC	Signature:																			
<b>8. Approved by Incident Commander:</b>	John Goss	Signature:																			
<b>ICS 202</b>		NIMS IAP																			

## ORGANIZATION ASSIGNMENT LIST (ICS 203)

<b>1. Incident Name:</b> 2023 SRF Lightning Complex		<b>2. Operational Period: Date From:</b> 10/1/2023 Time From: 0700		<b>Date To:</b> 10/2/2023 Time To: 0700	
<b>3. Incident Commander(s) and Command Staff:</b>			<b>7. Operation Section:</b>		
IC/UC's	John Goss	Operations	Travis Thane		
Deputy	Jerry McGowan	Deputy Operations	Tom Himmelirich		
Safety Officer	Doug McKelvey / Matt Lipson	Night Ops			
Information Officer	Kristen Allison / Derek Tisinger	Staging Area			
Liaison Officer	Celeste Prescott/Steve Knuckles/Darrell Miller	Branch	X	Shane Santos / George Troisi (t)	
Human Resources	Karen Hartman	Division/Group	J / Y	Ryan Riddle / Matthew Stanford (t)	
<b>4. Agency/Organization Representatives:</b>		Division/Group	Structure Group	Steven Thime	
Agency/Organization	Name	Division/Group			
USFS AA	Ted McArthur	Division/Group			
USFS SRF AREP	Jason Armbruster	Division/Group			
USFS KNF AREP	Chad Kirschbaum	Branch	XX	Robert Laeng / Mark Todd (t)	
HOOPA TRIBE	Raldon Brown	Division/Group	L	Todd Decker / Justin McArthur (t)	
KARUK TRIBE	Vikki Preston	Division/Group	M	Jim Genung	
YUROK TRIBE	Rod Mendes	Division/Group	N	R. Edmonson / C. Madden(t) / J. Kujala	
CAL FIRE AREP	Sean Mendes	Division/Group	O	Mike Loeffler / Kevin Breitwieser (t)	
CAL OES	Rick Young	Division/Group	R	Chris Markey	
BIA AA	Nathan Gogna	Branch			
HUMBOLDT OES	Ryan Derby	Division/Group			
SISKIYOU OES	Bryan Schenone	Division/Group			
CAL TRAN	Izzy Konops	Division/Group			
PG&E	Dave Hotchriss	Division/Group			
CCC Arep	Ben Herbert	Division/Group			
FBAT	Brian Stearns/Alexander Miyagishima	Branch			
		Division/Group			
<b>5. Planning Section:</b>		Division/Group			
Chief	Derek Parker / Jonathan Roberts (t)	Division/Group			
Resource Unit	Dameron/Carlson/Lewis/Aguerria	Division/Group			
SCKN	Roxanne Merrick	Division/Group			
Situation Unit	Jeffrey Chung (t) / Zacariah Jackson (t)	Branch			
Demobilization Unit	Thomas Skinner	Division/Group			
GISS	Melanie Hans / James Roberts	Division/Group			
FBAN / IMET	Patrick Doyle / Chris Foltz	Division/Group			
ITSS	Ulysses Huerta / Jacob Huerta (t)	Division/Group			
Training Tech Spec	Robert Reville	Division/Group			
LTAN	Dan Osterman	<b>Air Operations Branch</b>		Director:	Rocco Terracciano
Lead Read	Kevin Keeler	Air Support Group Supervisor		Kevin McElfish	
Air Resource Advisor	Gayle Hagler / Carolyn Koury	Air Tactical Group Supervisor			
<b>6. Logistics Section</b>		Helibase Manager			
Chief	Dan Turner / Douglas Winn				
Supply Unit	Mani Bouslaugh	<b>8. Finance/Administration Section:</b>			
Facilities Unit	Ronaldo Navarro / Richard Martinez	Chief	Lisa Wilson / Nina Hardin		
Ground Support Unit	Dave Trussell/Dave Corral/Wendy Hanson (t)	Time Unit	Teresa Reniff		
Communications Unit	Kody Kerwin	Procurement Unit	Paul Wood		
Medical Unit	Kain Packwood / Matthew Vierra	Comp/Claims Unit			
Security Manager	David Clark	Cost Unit	Lee Piper		
ORDM	Sara Felix / Tammy Meyers (t)				
<b>Prepared By: Name:</b>	Jonathan Roberts	<b>Position/Title:</b>	PSC	<b>Signature:</b>	
<b>ICS 203</b>	<b>Date/Time:</b>	9/30/2023	2300 hours	<small>NIMS IAP</small>	



# Fire Weather Forecast



**FORECAST NO:** 45  
**PREDICTION FOR:** Sunday's Operational Period  
**SHIFT DATE:** October 1, 2023  
**TIME AND DATE ISSUED:** September 30, 2023 1900 hrs

**INCIDENT:** 2023 SRF Lightning Complex  
**UNIT:** Six Rivers NF  
**SIGNED:** Chris Foltz *Chris Foltz*  
Incident Meteorologist (IMET)

### Discussion:

Breezy north-northeasterly winds will continue through much of the day today before gradually diminishing a bit late in the period. Temperatures will be about 5 degrees warmer than Saturday under a mostly sunny sky. Low elevation humidity values will range from the mid-20s to mid-30s both days with readings in the 30s for the mid-slopes and ridges. Only moderate overnight humidity recoveries are expected.

### TODAY:

**Sky/Weather:** Mostly sunny and continued breezy. Winds diminishing by late in the operational period.

**Max Temperature: Valleys:** 74 to 79. **Mid-Slopes and Ridges:** 55 to 61.

**Min RH: Valleys:** 25 to 35 percent. **Mid-Slopes and Ridges:** 30 to 40 percent.

**20 ft Winds: Lower Valleys:** Terrain 3 to 7 mph becoming north 10 to 15 mph with gusts to 20 mph.

**Mid-slopes and Ridges:** North-northeast 13 to 17 mph with gusts to 25 mph becoming northeast 10 to 15 mph with gusts to 20 mph after 1800.

**Transport Winds:** NE 17 mph.

**Chance of Rain:** 0 percent.

**Expected Rain Amount:** None

### TONIGHT:

**Sky/Weather:** Partly to mostly cloudy.

**Min Temperature: Lower Valleys:** 41 to 46. **Mid-Slopes and Ridges:** 39 to 45.

**Max RH: Lower Valleys:** 85 to 95 percent. **Mid-Slopes and Ridges:** 50 to 60 percent.

**20 ft Winds: Valleys/Lower Slopes:** Terrain/down-valley 4 to 8 mph.

**Mid-Slopes and Ridges:** North-northeast 12 to 16 mph with gusts to 30 mph

**Inversion:** 300 ft after 2100.

### MONDAY:

**Sky/Weather:** Continued partly to mostly cloudy.

**Max Temperature: Valleys:** 77 to 82. **Mid-Slopes and Ridges:** 59 to 64.

**Min RH: Valleys:** 25 to 35 percent. **Mid-Slopes and Ridges:** 30 to 40 percent.

**20 ft Winds: Lower Valleys:** Terrain 3 to 7 mph becoming north-northeast 8 to 12 mph with gusts to 18 mph.

**Mid-slopes and Ridges:** North 13 to 17 mph with gusts to 20 mph.

**Transport Winds:** N 15 mph.

**Chance of Rain:** 0 percent.

**Expected Rain Amount:** None.

**OUTLOOK FOR TUESDAY THROUGH THURSDAY:** A ridge of high pressure will continue to expand across the region bringing a mostly clear sky, warmer temperatures, and lower afternoon humidity. Moderate overnight humidity recoveries are expected. By Thursday, afternoon high temperatures will range from 5 to 10 degrees above normal with temperatures approaching 90 degrees in the valleys. High temperatures on the ridges will approach 70 degrees. Humidity values will fall into the 20s at lower elevations and the 30s to 40s on the mid-slopes and ridges. Winds will generally be from the north to northeast 10 to 15 mph with gusts to 20 mph. Strong gusts are expected on Tuesday with ridges seeing gusts approaching 30 mph after 1400. No precipitation is expected during this time period.

Weather observations can be texted to 816-833-6299 or emailed to [christopher.foltz@noaa.gov](mailto:christopher.foltz@noaa.gov)

## FIRE BEHAVIOR FORECAST

FORECAST NUMBER: 44	TYPE OF FIRE: Wildfire
FIRE NAME: 2023 SRF Lightning Complex	OPERATIONAL PERIOD: 10/01 Day
DATE ISSUED: September 30, 2023	TIME ISSUED: 1600
UNIT: CA-SRF	SIGNED: /s/ Patrick Doyle, FBAN cell 530-310-3552
WEATHER SUMMARY <span style="margin-left: 100px;">(See Fire Wx Forecast)</span> <span style="float: right;">patrick.doyle@usda.gov</span>	

**TOPOGRAPHY: Elevations:** 350-6,200 **Slopes:** 0%-100+% (0°-68°degrees) *Please track and notify me of any increase in fire activity. Thx!*

**FUELS: Key Fuel Models, Fuel Moisture Trend, Forecasted Fire Danger Rating**

<b>Grass/Shrub</b>	<b>GS2</b>	<b>Forecasted:</b> NFDR (Y) ERC: 24 BI: 33
<b>Timber</b>	<b>TU5</b>	
<b>10-hr (%)</b>	<b>14 % ▼11</b>	
<b>100-hr (%)</b>	<b>19 % ▼2</b>	
<b>1000-hr(%)</b>	<b>19 % ▲1</b>	
<b>Live Fuels (Seasonal grasses)</b>	<b>fully cured</b>	

Source: Slate Creek RAWS (040330), PS (NC04), WIMS  
NC=No change, ▲up, ▼down

**Fire Behavior (for new starts or unburned areas)**

**Probability of Ignition:** 19% Unshaded / 17% Shaded  
**Spotting Distance:** up to 0.4 mile (short range)  
Values below use **40% slope** and assume upslope spread.

Day			Night		
Fuel Model	FL (Ft.)	ROS (Ch/Hr)	Fuel Model	FL (Ft.)	ROS (Ch/Hr)
Grass/Shrub	1-3	20-21	GS2	0-1	1-7
Timber	1-6	7-8	TU5	1-6	1-7

**FIRE BEHAVIOR**

**GENERAL:**

- Expect to start seeing increased fire activity, such as increased smokes showing, as we get further into drying period after recent precipitation. Fuels continue to dry and become more receptive to fire spread.
- Currently Dead Fuel Moistures are trending for 1hr (<0.25"dia.) and 10hr (0.25-1.0"dia.) size-class fuels to have much lower fuel moistures starting around 10-11am for burn period with fuel moistures rise back up in the evening (1800-2200). Later in the week there may be little difference between night and day dead fuel moistures due to decrease in nighttime Rh recovery and warmer / dryer days.
- Nighttime relative humidity (Rh) recoveries will continue to decrease fuel moisture values over the next few days. This will increase availability of fine dead fuels, such as dry grass, conifer needles, and leaf litter to be more susceptible to carry fire during the day and into evening (increasing burn period window).

**SPECIFIC:**

**Branch X:** Minimal fire activity most of the division. Residual heat will begin showing where fuels are available. Potentially increase in smokes showing, be careful when working around these hotspots, monitor re-burn scenario potential in dirty burn areas. Monitor for fire/heat creeping through duff and heavy fuels near control features, and effect of winds in the afternoon on known pockets of heat in heavier fuels for potential threats to the line.

**Branch XX:** Minimal fire activity throughout fire area. Monitor for any fire activity in areas where alignment of fuels, solar heating (sunlight), south aspects, and exposure to wind (accelerates drying).

**AIR OPERATIONS:**

Cloudy in the morning, but skies clearing in the afternoon will improve air operations.  
Sunrise: 7:11am, Sunset: 6:56pm, Daylength: 11 hours, 45 minutes, 32 seconds (-2:41min)

**SAFETY:**

As fire burns through duff and root systems; rocks, boulders, stumps, and other large objects can be released and roll downhill. Don't assume that because no one is working above you there is no danger of rolling objects.

# ASSIGNMENT LIST (ICS 204 WF)

CONTROLLED UNCLASSIFIED  
INFORMATION/BASIC

<b>1. Incident Name:</b>	<b>2. Operational Period:</b>	<b>3. Branch</b>	<b>Division</b>
<b>2023 SRF Lightning Complex</b>	Date From: 10/01/23    Date To: 10/02/23 Time From: 0700    Time To: 0700	<b>X</b>	<b>J / Y</b>
<b>4. Operations Personnel:</b>		Page 1 of 2	

Operations Section Chief: <b>Travis Thane</b>	Night Ops:
Branch Director: <b>Shane Santos / George Troisi (t)</b>	Branch Safety:
Division/Group Supervisor: <b>Ryan Riddle / Matthew Stanford (t)</b>	Air Attack:

5. Resources Assigned:		** Resources Below in Bold are 12 Hour **						
Resource Identifier	ALS	LWD	Leader	Personnel	Request #	Hours	Reporting Location	
HCS1 S/T 1546G		10/3	<b>Tyler Gilliam</b>	37	<b>C-45</b>	0700 - 2100	ICP	
HC2I KERN VALLEY IHC		10/3	<b>Kyle Clendenen</b>	19	<b>C-98</b>	0700 - 2100	ICP	
HC2I FIRESTORM 5C		10/1	<b>Levi Cardiff</b>	20	<b>C-91</b>	0700 - 2100	ICP	
ENG4 ENGINE 2412		10/2	<b>Drew Gabardi</b>	4	<b>E-442</b>	0700 - 2100	ICP	
ENG6 HI COUNTRY		10/8	<b>Zach Mostad</b>	3	<b>E-96</b>	0700 - 2100	ICP	
ENG6 J3 CONTRACTING		10/1	<b>Wyatt Lawrence</b>	3	<b>E-156</b>	0700 - 2100	ICP	
ENG6 MT ADAMS WILDFIRE 2		10/1	<b>Paula Holter</b>	3	<b>E-473</b>	0700 - 2100	ICP	
ENG6 PACIFIC OASIS		10/14	<b>Tyler Tinsen</b>	3	<b>E-487</b>	0700 - 2100	ICP	
ENG6 FIRESTORM C08		10/3	<b>Stan Hankins</b>	3	<b>E-508</b>	0700 - 2100	ICP	
ENG6 NORTH PACIFIC		10/3	<b>Colin Ficcadenti</b>	3	<b>E-509</b>	0700 - 2100	ICP	
DZR1 HIA DOZ1		10/4	<b>Wits Marshal</b>	2	<b>E-41</b>	0700 - 2100	ICP	
DZR3 ANGELO CATTANEO		10/14	<b>Don George</b>	2	<b>E-359</b>	0700 - 2100	Staging	
DZR3 KIT CONTRACTING		10/10	<b>Dennis Milner</b>	2	<b>E-398</b>	0700 - 2100	Staging	
WTS2 BLACK KNIGHT		10/1	<b>Dustin Harner</b>	1	<b>E-444</b>	0700 - 2100	Staging	
FMOD NORTH ZONE 11-1		10/1	<b>Mike Lee</b>	2	<b>O-57</b>	0700 - 2100	ICP	
FMOD A&F FALLERS		10/5	<b>Connor Fournier</b>	2	<b>O-310</b>	0700 - 2100	ICP	
EXC1 KDK GEN ENGINEERING		10/6	<b>Kenny Drew</b>	2	<b>E-437</b>	0700 - 2100	ICP	
EXC3 MOORE EXCAVATING		10/2	<b>Sonny Moore</b>	2	<b>E-16</b>	0700 - 2100	ICP	

**6. Work Assignments:**  
 TASK: Patrol, hold, and improve containment lines. Continue suppression repair per the approved repair plan.  
 PURPOSE: Hold fire within established control lines.  
 END STATE: Keep fire within the planned perimeter. Return the area to as natural a condition as possible.

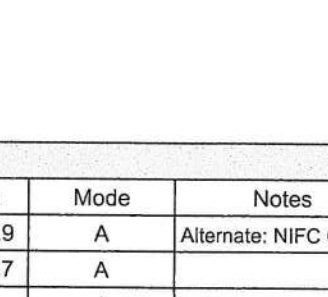
**7. Special Instructions:**  
 Coordinate with READs for any repair work.  
 Do not utilize community hydrants unless there is fire impact to values at risk.  
 Utilize drafting as primary water source.  
 Provide assistance to Structure Group as needed.  
 Resource advisors are working across all Branches.  
 Medical resources are available to Structure Group.

8. Communications								
Name	Ch	Function	Rx Freq	Rx Tone	Tx Freq	Tx Tone	Mode	Notes
NIFC C12	4	COMMAND	173.0375	(T7) 167.9	167.3250	(T7) 167.9	A	Alternate: NIFC C44
VFIRE 25	9	TACTICAL	154.2875	(T6) 156.7	154.2875	(T6) 156.7	A	
A/G CMND	12	A/G CMD	167.8125		168.8125		A	
CALCORD	13	TACTICAL	156.0750	(T6) 156.7	156.0750	(T6) 156.7	A	
AIRGUARD	14	AIRGUARD	168.6250	0.0	168.6250	(T1) 110.9	A	

<b>9. Prepared by: Name:</b>	Micah Carlson	RESL	Signature:
<b>ICS 204</b>	Date/Time: 9/30/2023 2200	Personnel Count: 113	

# ASSIGNMENT LIST (ICS 204 WF)

CONTROLLED UNCLASSIFIED  
INFORMATION/BASIC

<b>1. Incident Name:</b> 2023 SRF Lightning Complex		<b>2. Operational Period:</b> Date From: 10/01/23    Date To: 10/02/23 Time From: 0700    Time To: 0700				<b>3. Branch</b> X		<b>Division</b> J/Y	
<b>4. Operations Personnel:</b>						Page 2 of 2			
Operations Section Chief: <b>Travis Thane</b>		Branch Director: <b>Shane Santos / George Trosi (t)</b>		Division/Group Supervisor: <b>Ryan Riddle / Matthew Stanford (t)</b>		Night Ops:		Branch Safety:	
						Air Attack:			
<b>5. Resources Assigned:</b>		<b>** Resources Below in Bold are 12 Hour **</b>							
Resource Identifier	ALS	LWD	Leader	Personnel	Request #	Hours	Reporting Location		
TFLD OROZCO		10/1	<b>Andres Orozco</b>	1	O-820	0700 - 2100	ICP		
TFLD LLOYD		10/7	<b>Roland Lloyd</b>	1	O-843	0700 - 2100	ICP		
TFLD KNIGHT		10/4	<b>Douglas Knight</b>	1	O-844	0700 - 2100	Staging		
TFLD SANTISTEVAN		10/7	<b>Bryan Santistevan</b>	1	O-899	0700 - 2100	ICP		
TFLD BORGMAN (t)		10/7	<b>Ryan Borgman</b>	1	O-900	0700 - 2100	ICP		
REMS 5 ADVENTURE MEDICS	YES	10/5	<b>Koby Bennett</b>	4	O-859	0700 - 2100	ICP		
EMPF BOLTON		10/4	<b>Cade Bolton</b>	1	O-835	0700 - 2100	ICP		
EMPF LAGARCE		10/8	<b>Brian Lagarce</b>	1	O-990	0700 - 2100	ICP		
EMTF REYES		10/3	<b>Kathryn Reyes</b>	1	O-831	0700 - 2100	ICP		
EMTF DESROSIERS		10/5	<b>Albert Desrosiers</b>	1	O-861	0700 - 2100	ICP		
AMBU 5 WILDERNESS MEDICS	YES	10/12	<b>Mariah Estell</b>	2	E-491	0700 - 2100	ICP		
SOFR JOHNSON		10/7	<b>Brent Johnson</b>	1	O-875	0700 - 2100	ICP		
<b>6. Work Assignments:</b>									
TASK: Patrol, hold, and improve containment lines. Continue suppression repair per the approved repair plan.									
PURPOSE: Hold fire within established control lines.									
END STATE: Keep fire within the planned perimeter. Return the area to as natural a condition as possible.									
<b>7. Special Instructions:</b>									
Coordinate with READs for any repair work.									
Do not utilize community hydrants unless there is fire impact to values at risk.									
Utilize drafting as primary water source.									
Provide assistance to Structure Group as needed.									
Resource advisors are working across all Branches.									
Medical resources are available to Structure Group.									
<b>8. Communications</b>									
Name	Ch	Function	Rx Freq	Rx Tone	Tx Freq	Tx Tone	Mode	Notes	
NIFC C12	4	COMMAND	173.0375	(T7) 167.9	167.3250	(T7) 167.9	A	Alternate: NIFC C44	
VFIRE 25	9	TACTICAL	154.2875	(T6) 156.7	154.2875	(T6) 156.7	A		
A/G CMND	12	A/G CMD	167.8125		168.8125		A		
CALCORD	13	TACTICAL	156.0750	(T6) 156.7	156.0750	(T6) 156.7	A		
AIRGUARD	14	AIRGUARD	168.6250	0.0	168.6250	(T1) 110.9	A		
<b>9. Prepared by: Name:</b>		Micah Carlson			RESL		Signature: 		
ICS 204		Date/Time: 9/30/2023 2200			Personnel Count: 16				



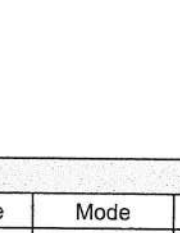






# ASSIGNMENT LIST (ICS 204 WF)

CONTROLLED UNCLASSIFIED  
INFORMATION/BASIC

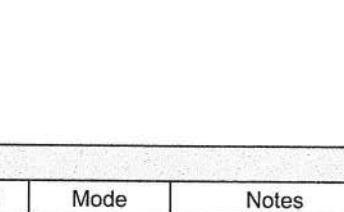
<b>1. Incident Name:</b> <b>2023 SRF Lightning Complex</b>		<b>2. Operational Period:</b> Date From: 10/01/23    Date To: 10/02/23 Time From: 0700    Time To: 0700				<b>3. Branch</b> <b>XX</b>		<b>Division</b> <b>N</b>	
<b>4. Operations Personnel:</b>						Page 1 of 2		November	
Operations Section Chief: <b>Travis Thane</b>		Night Ops:							
Branch Director: <b>Robert Laeng / Mark Todd (t)</b>		Branch Safety:							
Division/Group Supervisor: <b>R. Edmonson / C. Madden(t) / J. Kujala (t)</b>		Air Attack:							
<b>5. Resources Assigned:</b>			<b>** Resources Below in Bold are 12 Hour **</b>						
Resource Identifier	ALS	LWD	Leader	Personnel	Request #	Hours	Reporting Location		
HC2 PONDEROSA TIMBERLAND		10/7	<b>Caleb Taylor</b>	20	<b>C-99</b>	0700 - 2100	ICP		
HC2 FUEGO FIRE & FORESTRY		10/6	<b>Gianluigi Benvenuto</b>	20	<b>C-100</b>	0700 - 2100	ICP		
HC2 ROCHA REFORESTATION		10/9	<b>Jorge Duran</b>	20	<b>C-101</b>	0700 - 2100	ICP		
HC2 J.O. INTL REFORESTATION		10/6	<b>Tanner Moore</b>	20	<b>C-102</b>	0700 - 2100	ICP		
ENG6 MT ADAMS WILDFIRE 1		10/1	<b>Andrew Chico</b>	3	<b>E-472</b>	0700 - 2100	ICP		
ENG6 IMPERIAL FORESTRY		10/1	<b>Alvarado Gonzales</b>	3	<b>E-474</b>	0700 - 2100	ICP		
ENG6 WOODPECKER		10/2	<b>Michelle Herrin</b>	3	<b>E-488</b>	0700 - 2100	ICP		
ENG6 WEST VALLEY CITY FD E6		10/2	<b>Morris Barker</b>	3	<b>E-499</b>	0700 - 2100	ICP		
FMOD UNDERDOG MOD 6		10/4	<b>Richard Brown</b>	2	<b>O-309</b>	0700 - 2100	ICP		
FMOD GOD AND COUNTRY		10/2	<b>Joseph Johnson</b>	2	<b>O-566</b>	0700 - 2100	ICP		
WTS2 LENAHAN		10/7	<b>Douglas Covey</b>	1	<b>E-293</b>	0700 - 2100	ICP		
WTS2 STEPHEN LARRY		10/8	<b>Nolan Dinsmore</b>	1	<b>E-402</b>	0700 - 2100	ICP		
WTS2 DARRAH LOGGING 1		10/2	<b>Carl Walker</b>	1	<b>E-404</b>	0700 - 2100	ICP		
WTS2 DARRAH LOGGING 2		10/6	<b>Bob Cretton</b>	1	<b>E-405</b>	0700 - 2100	ICP		
MBM2 TOUGH CO		10/11	<b>Brandon Leboy</b>	2	<b>E-231</b>	0700 - 2100	ICP		
MBM2 LOUIS MOOSIOS		10/11	<b>Louis Moosios</b>	2	<b>E-294</b>	0700 - 2100	ICP		
MBM2 SERMON FARMS		10/14	<b>Roy Sermon</b>	2	<b>E-347</b>	0700 - 2100	ICP		
MBM2 LAP CONTRACTING		10/8	<b>Cyle Moss</b>	2	<b>E-351</b>	0700 - 2100	ICP		
<b>6. Work Assignments:</b>									
TASK: Patrol, hold, and improve containment lines. Determine Suppression Repair needs. Continue mastication project on the Bluff Creek Road to Hwy 96.									
PURPOSE: Hold the fire within established control lines.									
END STATE: Keep fire within planned perimeter. Return the area to as natural a condition as possible.									
<b>7. Special Instructions:</b>									
Coordinate with READs for any repair work.									
Do not utilize community hydrants unless there is fire impact to values at risk.									
Utilize drafting as primary water source.									
Resource advisors are working across all Branches.									
SOFRs from Div M are shared with Div N.									
<b>8. Communications</b>									
Name	Ch	Function	Rx Freq	Rx Tone	Tx Freq	Tx Tone	Mode	Notes	
NIFC C45	3	COMMAND	173.0875	(T7) 167.9	162.8125	(T7) 167.9	A		
VFIRE 24	8	TACTICAL	154.2725	(T6) 156.7	154.2725	(T6) 156.7	A		
A/G CMND	12	A/G CMD	167.8125		168.8125		A		
CALCORD	13	TACTICAL	156.0750	(T6) 156.7	156.0750	(T6) 156.7	A		
AIRGUARD	14	AIRGUARD	168.6250	0.0	168.6250	(T1) 110.9	A		
<b>9. Prepared by: Name:</b>		Micah Carlson			RESL		Signature: 		
<b>ICS 204</b>		Date/Time: 9/30/2023 2200			Personnel Count: 108				

NIMS IAP

CONTROLLED UNCLASSIFIED INFORMATION/BASIC

# ASSIGNMENT LIST (ICS 204 WF)

CONTROLLED UNCLASSIFIED  
INFORMATION//BASIC

<b>1. Incident Name:</b> <b>2023 SRF Lightning Complex</b>		<b>2. Operational Period:</b> Date From: 10/01/23    Date To: 10/02/23 Time From: 0700    Time To: 0700				<b>3. Branch</b> <b>XX</b>		<b>Division</b> <b>N</b>	
<b>4. Operations Personnel:</b>						Page 2 of 2		November	
Operations Section Chief: <b>Travis Thane</b>			Night Ops:						
Branch Director: <b>Robert Laeng / Mark Todd (t)</b>			Branch Safety:						
Division/Group Supervisor: <b>R. Edmonson / C. Madden(t) / J. Kujala (t)</b>			Air Attack:						
<b>5. Resources Assigned:</b>		<b>** Resources Below in Bold are 12 Hour **</b>							
Resource Identifier	ALS	LWD	Leader	Personnel	Request #	Hours	Reporting Location		
MBM2 DAVIS CORP 2		10/8	<b>Matt Deister</b>	2	<b>E-438</b>	0700 - 2100	ICP		
MBM3 WARNER ENTERPRISES		10/4	<b>Cesar Rodriguez</b>	2	<b>E-357</b>	0700 - 2100	ICP		
MBM3 DAVIS CORP 3		10/13	<b>Joe Stafford</b>	2	<b>E-358</b>	0700 - 2100	ICP		
CHP1 DAVIS CORP		10/10	<b>Jose Fabela</b>	2	<b>E-332</b>	0700 - 2100	ICP		
CHP2 FIRE TRAX		10/6	<b>Dillon Ormsby</b>	3	<b>E-297</b>	0700 - 2100	ICP		
CHP2 THE TREE GUYS		10/9	<b>Bleu Luna</b>	3	<b>E-298</b>	0700 - 2100	ICP		
TFLD FRAZIER		10/1	<b>Thomas Frazier</b>	1	<b>O-753</b>	0700 - 2100	ICP		
TFLD DOWNS		10/3	<b>Michael Downs</b>	1	<b>O-885</b>	0700 - 2100	ICP		
TFLD SHAFER (t)		10/13	<b>Colin Shafer</b>	1	<b>O-962</b>	0700 - 2100	ICP		
TFLD RODRIGUEZ		10/13	<b>Roman Rodriguez</b>	1	<b>O-963</b>	0700 - 2100	ICP		
HEQB HARTMAN		10/6	<b>Carson Hartman</b>	1	<b>O-887</b>	0700 - 2100	ICP		
REMS 1 BLACKWOODS	YES	10/4	<b>Rory Bradely</b>	4	<b>O-842</b>	0700 - 2100	ICP		
EMPF QUEENAN		10/4	<b>James Queenan</b>	1	<b>O-839</b>	0700 - 2100	ICP		
EMTF MCDONALD		10/4	<b>Taylor McDonald</b>	1	<b>O-837</b>	0700 - 2100	ICP		
AMBU 2 MTN MEDICS	YES	10/14	<b>Dale Williams</b>	2	<b>E-29</b>	0700 - 2100	ICP		
SOFR QUIGLEY		10/8	<b>Tim Quigley</b>	1	<b>O-884</b>	0700 - 2100	ICP		
<b>6. Work Assignments:</b>									
TASK: Patrol, hold, and improve containment lines. Determine Suppression Repair needs. Continue mastication project on the Bluff Creek Road to Hwy 96.									
PURPOSE: Hold the fire within established control lines.									
END STATE: Keep fire within planned perimeter. Return the area to as natural a condition as possible.									
<b>7. Special Instructions:</b>									
Coordinate with READs for any repair work.									
Do not utilize community hydrants unless there is fire impact to values at risk.									
Utilize drafting as primary water source.									
Resource advisors are working across all Branches.									
SOFRs from Div M are shared with Div N.									
<b>8. Communications</b>									
Name	Ch	Function	Rx Freq	Rx Tone	Tx Freq	Tx Tone	Mode	Notes	
NIFC C45	3	COMMAND	173.0875	(T7) 167.9	162.8125	(T7) 167.9	A		
VFIRE 24	8	TACTICAL	154.2725	(T6) 156.7	154.2725	(T6) 156.7	A		
A/G CMND	12	A/G CMD	167.8125		168.8125		A		
CALCORD	13	TACTICAL	156.0750	(T6) 156.7	156.0750	(T6) 156.7	A		
AIRGUARD	14	AIRGUARD	168.6250	0.0	168.6250	(T1) 110.9	A		
<b>9. Prepared by: Name:</b>			Micah Carlson			RESL		Signature: 	
<b>ICS 204</b>		Date/Time: 9/30/2023 2200				Personnel Count: 28			

NIMS IAP

CONTROLLED UNCLASSIFIED INFORMATION//BASIC

# ASSIGNMENT LIST (ICS 204 WF)

CONTROLLED UNCLASSIFIED  
INFORMATION//BASIC

<b>1. Incident Name:</b> <b>2023 SRF Lightning Complex</b>	<b>2. Operational Period:</b> Date From: 10/01/23    Date To: 10/02/23 Time From: 0700    Time To: 0700	<b>3. Branch</b> <b>Division</b>  <b>XX</b> <b>O</b>  Page 1 of 1    Oscar
---	---	--

<b>4. Operations Personnel:</b>	
Operations Section Chief: <b>Travis Thane</b>	Night Ops:
Branch Director: <b>Robert Laeng / Mark Todd (t)</b>	Branch Safety:
Division/Group Supervisor: <b>Mike Loeffler / Kevin Breitwieser (t)</b>	Air Attack:

5. Resources Assigned:		** Resources Below in Bold are 12 Hour **					
Resource Identifier	ALS	LWD	Leader	Personnel	Request #	Hours	Reporting Location
TF - CA CNF TF6631		10/1	<b>Charles Hixon</b>	27	<b>E-466</b>	0700 - 2100	ICP
ENG3 LASSEN ENGINE 331		10/2	<b>Matt Mason</b>	5	<b>E-489</b>	0700 - 2100	ICP
ENG3 SDBKF E311		10/2	<b>Glen Engelhaupt Jr.</b>	3	<b>E-500</b>	0700 - 2100	ICP
ENG6 MCKENZIE FIRE		10/4	<b>Preston Ley</b>	3	<b>E-495</b>	0700 - 2100	ICP
WTS2 CUTTING EDGE		10/1	<b>Ingo Middlebrook</b>	1	<b>E-341</b>	0700 - 2100	ICP
WTS2 DARRAH LOGGING 3		10/2	<b>Dave Kaundart</b>	1	<b>E-505</b>	0700 - 2100	ICP
MISC YUROC MOWER		10/8	<b>Billy Peters</b>	2	<b>S-283</b>	0700 - 2100	ICP
MISC YUROC MOWER 2		10/8	<b>Dewey Myers</b>	2	<b>S-310</b>	0700 - 2100	ICP
TFLD DAGUE		10/9	<b>Kyle Dague</b>	1	<b>O-856</b>	0700 - 2100	ICP
TFLD HOFFMAN		10/13	<b>Casey Hoffman</b>	1	<b>O-961</b>	0700 - 2100	ICP
REMS 3 ADVENTURE MEDICS	YES	10/4	<b>Jordan Machtelinckx</b>	4	<b>O-263</b>	0700 - 2100	ICP
EMPF SCHWANDER		10/4	<b>Andrew Schwander</b>	1	<b>O-841</b>	0700 - 2100	ICP
EMTF GLYNN		10/3	<b>Shawn Glynn</b>	1	<b>O-833</b>	0700 - 2100	ICP
AMBU 7 INJURY CARE	YES	10/7	<b>Chris Howard</b>	2	<b>E-525</b>	0700 - 2100	ICP

**6. Work Assignments:**  
 TASK: Mop-up control lines to the extent necessary. Clear downed trees from the GO Road through the fire area. Implement suppression repair per the approved fire suppression repair plan. Assist with preparation of strategic firing plan.  
 PURPOSE: Hold the fire within established control lines.  
 END STATE: Keep fire within planned perimeter. Return the area to as natural a condition as possible.

**7. Special Instructions:**  
 Coordinate with READs for any repair work.  
 Do not utilize community hydrants unless there is fire impact to values at risk.  
 Utilize drafting as primary water source.  
 Resource advisors are working across all Branches.  
 Medical resources available to DIV L.

8. Communications								
Name	Ch	Function	Rx Freq	Rx Tone	Tx Freq	Tx Tone	Mode	Notes
NIFC C55	5	COMMAND	173.7250	(T7) 167.9	171.0250	(T7) 167.9	A	
VFIRE 24	8	TACTICAL	154.2725	(T7) 167.9	154.2725	(T6) 156.7	A	
A/G CMND	12	A/G CMD	167.8125		168.8125		A	
CALCORD	13	TACTICAL	156.0750	(T6) 156.7	156.0750	(T6) 156.7	A	
AIRGUARD	14	AIRGUARD	168.6250	0.0	168.6250	(T1) 110.9	A	

<b>9. Prepared by: Name:</b> Micah Carlson	RESL	Signature:
ICS 204	Date/Time: 9/30/2023    2200	Personnel Count: 54

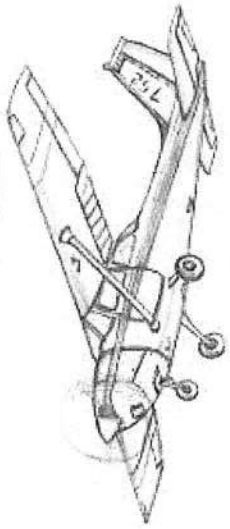
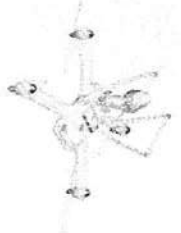
NIMS IAP

CONTROLLED UNCLASSIFIED INFORMATION//BASIC



<b>AIR OPERATIONS SUMMARY 220</b>	Prepared By: Rocco Terracciano	Prepared: 9/30/2023	Prepared Time: 1700
<b>1. INCIDENT NAME: 2023 SRF LIGHTNING</b>	<b>2. OPERATIONAL PERIOD</b> 10/01/2023	<b>START TIME:</b> 0800	<b>END TIME:</b> 2000
		<b>SUNRISE:</b> 07:09	<b>SUNSET:</b> 18:58

**3. REMARKS:** (Safety Notes, Hazards, etc.)  
Report all unauthorized aircraft. Follow UAS Intrusion Protocol.

<b>4. READY ALERT AIRCRAFT:</b>	<b>5. TFR: 3/7458</b>
IA: H 512 Kneeland Helibase Cal Fire 8355 Kneeland , Ca. 95549  Medivac: SEE MEDICAL PLAN Short haul Scott Valley  Order Through Communications	3/7477 126.2750

6. PERSONNEL	NAME	PHONE #	7. FREQUENCIES	AM	FM	8A. FIXED-WING
AOBD	Rocco Terracciano	951-204-8461	A/A Fix	126.2750		AIRTANKERS- none assigned.
HEBM	Rex Sundstrom	218-368-8554	A/A Rotor	126.4250		8B. Aerial Supervision / Personnel / Location
HEBM(t)	Steve Ocampo	530-575-0368	Air Tactics		171.0875	ATGS -none assigned.
		530-927-9780	IA A/G Command		167.8125	
			IA A/G Tactical		172.5500	
			IA A/G 43		167.6000	
			TOLC		167.550	
			DECK		168.350	
						H3 (ICP/PEARCH) N 41 18.38 W 123 33.21

**9. HELICOPTERS:** (Order through ATGS or Operations)

FAA N#	TY	MAKE/MODEL	BASE	START	AVAIL	REMARKS	FAA N#	TY	MAKE/MODEL	BASE	START	AVAIL	REMARKS
205BT (512)	2	B205 A1++	O-19	0830	0900	Bucket							
351E	3	A-Star B3	O-19	0830	0900	Recon							

APPROVED BY /s/ Rocco Terracciano AOBD



**Incident:**

SRF Lightning Complex

CA-SRF-00986

**Date:**

10/1-10/2, 2023

**Operational Period:**

0700-0700



# SAFETY MESSAGE

*Fire fighter safety comes first on every fire, every time*



**Quote of the Day: Safety is not a plan... It is a belief!**

## SNAG HAZARDS

Falling trees and snags are one of the leading causes of death and injury for wildland firefighters.

### ENVIRONMENTAL/OPERATIONAL CONDITIONS

- Strong winds
- Night operations
- Steep Slopes
- Diseased or bug-kill areas
- Helicopter bucket drops and rotor down drafts.
- Retardant drops
- Vibrations from heavy equipment and motor vehicles operating nearby.
- Use of explosives in fire line construction

### SNAG/GREEN TREE HAZARD ALERT CHECKLIST

- Snags/green trees are falling or have fallen in work area.
- Leaning or hung-up trees are present in work area.
- Trees with dead or broken tops and limbs overhead are present in work area.
- High risk tree species (rot and shallow root system, i.e., cypress) are present in work areas.
- Crews are working in a hazard tree area at night.
- Crews are working in a hazard tree area and the wind is blowing.
- Crews are working in an area where trees have been burning for some time.
- Crewmembers are taking a break in a hazard tree area (staging area, drop points, camps, etc.).
- Lookouts have not been posted in a hazard tree area.
- Lookouts are not advising the crew of the presence of hazard trees.
- Winds are increasing or are predicted to increase.
- Tree height within fire perimeter equals or exceeds distance to control line.
- Escape routes pass through hazard tree area.

## Other Safety Considerations

### **Working around Heavy Equipment:**

- Give heavy equipment the ROW and always keep a safe distance.

### **Driving on Narrow, Steep and Slippery Roads:**

- Patience, Patience, Patience

### **TFR Intrusions:**

- Notify Division Supervisor and Communications of each Intrusion.

### Safety Officers:

**Team Safety Officers:** Doug McKelvey SOF, Matthew Lipson SOF, Kenneth Glazer SOF(T)

<b>INCIDENT RADIO COMMUNICATIONS PLAN (ICS 205)</b>	<b>Incident Name</b> <b>2023 SRF LIGHTNING COMPLEX</b>	<b>Date/Time Prepared</b> <b>9/30/2023 1400</b>	<b>Operational Period Date/Time</b> <b>10/1/23 to 10/2/23 0700 to 0700</b>
---	---	--	---

**CONTROLLED CLASSIFIED INFORMATION/BASIC**

Utilization of any frequency other than those listed on this form are prohibited, subject to fines by the FCC and demobilization from the incident.

Zn Ch	Function	Channel Name/Trunked Radio System Talkgroup	Assignment	RX Freq N or W	RX Tone/NAC	TX Freq N or W	TX Tone/NAC	Dev Pwr	Mode A, D or M	Remarks
1	COMMAND	NIFC C41	BRANCH X	170.1375	Tone 7 167.9	165.1500	Tone 7 167.9	N H	A	UKONOM MOUNTAIN
2	COMMAND	NIFC C44	BRANCH X	170.7625	Tone 7 167.9	165.6250	Tone 7 167.9	N H	A	ORLEANS MOUNTAIN
3	COMMAND	NIFC C45	BRANCH XX	173.0875	Tone 7 167.9	162.8125	Tone 7 167.9	N H	A	RED MOUNTAIN
4	COMMAND	NIFC C12	BRANCH X	173.0375	Tone 7 167.9	167.3250	Tone 7 167.9	N H	A	PROSPECT HILL
5	COMMAND	NIFC C55	BRANCH XX	173.7250	Tone 7 167.9	171.0250	Tone 7 167.9	N H	A	ROCK CREEK
6	TACTICAL	VFIRE 22	NIGHT OPERATIONS	154.2650	Tone 6 156.7	154.2650	Tone 6 156.7	N H	A	
7	TACTICAL	VFIRE 23	DIV L/M	154.2950	Tone 6 156.7	154.2950	Tone 6 156.7	N H	A	
8	TACTICAL	VFIRE 24	DIV N/O	154.2725	Tone 6 156.7	154.2725	Tone 6 156.7	N H	A	
9	TACTICAL	VFIRE 25	DIV J/Y	154.2875	Tone 6 156.7	154.2875	Tone 6 156.7	N H	A	
10	TACTICAL	VTAC11	DIV R	151.1375	Tone 6 156.7	151.1375	Tone 6 156.7	N H	A	
11	TACTICAL	VTAC12	STRUCTURE GRP	154.4525	Tone 6 156.7	154.4525	Tone 6 156.7	N H	A	
12	Air-to-Ground	A/G CMD	ALL DIVISIONS	167.8125	NONE	167.8125	NONE	N H	A	
13	Air-to-Ground	A/G TAC	ALL DIVISIONS	172.5500	NONE	172.5500	NONE	N H	A	
14	Air-to-Ground	A/G 43	LOCAL IA A/G	167.6000	NONE	167.6000	NONE	N H	A	
15	TACTICAL	CALCORD	MEDICAL	156.0750	Tone 6 156.7	156.0750	Tone 6 156.7	N H	A	
16	EMERGENCY	AIRGUARD	EMERGENCY	168.6250	NONE	168.6250	Tone 1 110.9	N H	A	EMERGENCY ONLY

Prepared By (Communications Unit Leader) *Kody Kerwin* Incident Location: ORLEANS Forest / Unit / Jurisdiction: Six Rivers NF

**Kody Kerwin, COM1 (925) 953-3044 Communications: 510-507-1544** County: Humboldt State: CA Latitude: " N Longitude: W

<b>INCIDENT RADIO COMMUNICATIONS PLAN (ICS 205)</b>	<b>SRF LIGHTNING IA</b>	Date/Time Prepared <b>9/30/2023 1400</b>	Operational Period Date/Time <b>10/1/23 to 10/2/23 0700 to 0700</b>
<b>CONTROLLED CLASSIFIED INFORMATION/BASIC</b>			

Zn Ch	Function	Channel Name/Trunked Radio System Talkgroup	Assignment	RX Freq N or W	RX Tone/NAC	TX Freq N or W	TX Tone/NAC	Dev	Pwr	Mode A, D or M	Remarks
1	COMMAND	FOR RPT		172.3750	NONE	164.1750	OST	N	H	A	T13-HORSE MTN/ T3-PINE RIDGE/ T7 Ukonom Mtn
2	COMMAND	ADM RPT		170.4750	NONE	165.7500	OST	N	H	A	T5-ORLEANS MTN
3	COMMAND	SERV RPT		169.9500	NONE	164.7875	OST	N	H	A	T3 LONE PINE RIDGE
4	COMMAND	HIA RPT		155.3850	NONE	150.8050	OST	N	H	A	T6 HORSE RIDGE
5	COMMAND	HIA TAC2		154.3550	NONE	154.3550	NONE	N	H	A	
6	COMMAND	HUU RPT		151.2500	NONE	159.4050	OST	N	H	A	T13 RED MOUNTAIN
7	TACTICAL	CDF T3		151.1750	NONE	151.1750	NONE	N	H	A	
8	TACTICAL	NIFC T2		168.2000	NONE	168.2000	NONE	N	H	A	
9	TACTICAL	R5 PROJ		168.6625	NONE	168.6625	NONE	N	H	A	
10	TACTICAL	R5 T5		167.1125	NONE	167.1125	NONE	N	H	A	
11	COMMAND	CNTY RPT		154.2500	NONE	156.1050	OST	N	H	A	
12	COMMAND	KNF RPT		171.5250	NONE	165.4125	OST	N	H	A	
13	COMMAND	HCFN		154.0700	NONE	159.0000	OST	N	H	A	
14	Air-to-Ground	A/G 43		167.6000	NONE	167.6000	NONE	N	H	A	
15	TACTICAL	CALCORD	MEDICAL	156.0750	Tone 6 156.7	156.0750	Tone 6 156.7	N	H	A	
16	EMERGENCY	AIRGUARD	EMERGENCY	168.6250	NONE	168.6250	Tone 1 110.9	N	H	A	EMERGENCY ONLY

Prepared By (Communications Unit Leader) *Kody Kerwin*

Incident Location: ORLEANS Forest / Unit / Jurisdiction: Six Rivers NF

County: Humboldt State: CA Latitude: ° N Longitude: W

**Kody Kerwin, COM1 (925) 953-3044 Communications: 510-507-1544**

# LG Reimbursement Message (CFAA)

## 2023 SRF Lightning Complex (CA-SRF-000986)

If you are responsible for completing F42's and reimbursement documentation, please ensure you are registered in MARS and have a Username and Password prior to DMOB as ALL F42's will be completed electronically through MARS.

### CAL OES Contact for 2023 SRF Lightning Complex

Cal OES AREP

Rick Young (916) 541-3165

[ricky.young@caloes.ca.gov](mailto:ricky.young@caloes.ca.gov)



Cal OES Check-In



MARS

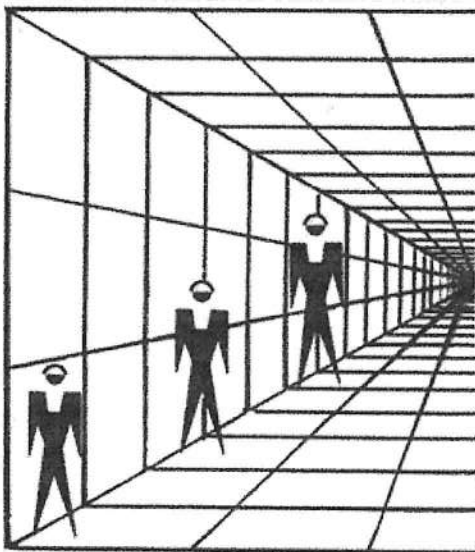


## Human Resource Message

'Work smarter, not harder,' the saying goes. Here on the incident, working smarter includes:

- encouraging one another in our individual assignments,
- maintaining the collective energy and focus of the team, and
- supporting each other in times of adversity, challenge and change.

Remember that we are all here for a common purpose and each of us is making a valuable contribution to our mission.



Which person is the tallest????

They are all the same size. It's just an optical illusion that makes them look different. We all look different, but inside we are really all the same too.

Human Resource Specialist – Karen Hartman  
Contact number – 801-368-3493

October 1 is International Raccoon Appreciation Day.



# ***Training Specialist***

## ***2023 SRF Lightning Complex***

**The Training Specialist is working remotely. Training Specialist contact information for the 2023 SRF Lightning Complex:**

- Robert Rivelle
- Important: If any Trainee or Trainer has any questions or concerns, call/text: 707.498.1761 “**anytime**”.
- Email: robert\_rivelle@nps.gov

### **How to register as a Trainee:**

1. Use the QR code below or on the front of the IAP to register. If you're unable to register using the QR code, please call 707.498.1761.
2. Once registered, you will receive text and email updates.

### **How to close-out your training assignment:**

1. **Trainer and Trainee:** Have a conversation, open dialog between both.
2. **Trainer:** Complete an Evaluation Record in the back of the Position Task Book and make as many entries as possible within the individual tasks. Discuss this with your Trainee.
3. **Trainer:** Complete an individual performance rating (ICS 225) and go over the performance rating with your Trainee.
4. **Trainee:** Text a photo or email your individual performance rating (ICS 225) to the Training Specialist.
5. **Trainee:** Complete the Trainee exit questions at the QR code below.
6. **Trainee:** Once 1-4 are completed, the Trainee and the Training Specialist will have a brief conversation to discuss the Task Book and assignment with the Trainee.
7. **Done,** except for safe travels home!

#### **Trainee Registration**



#### **Trainee Exit Questions**



## TENTATIVE RELEASE

10/1/2023

### CREWS

C-96 0800 (CR2I) BEAR JAW

### EQUIPMENT

E-462 0745 (ENG3) ANF E- 338  
E-463 0800 (ENG6) HOLTER - E13334  
E-465 0830 (WTS2) WARREN PARTRIDGE-386818

### OVERHEAD

O-743.47 0000 (SOF2) FIELDEN, TOM  
O-785 0000 (HEQB) FUSI, CHRIS  
O-958 0000 (THSP) HILLMAN, LEAF  
O-913 0000 (FFT2) NASH, BENJAMIN EDWARD  
O-810 0000 (READ) VALESANO, KIP  
O-767 0700 (ASGS) EMPEY, MARK  
O-743.54 0800 (PIO3) BOWERS-ZOSCHG, SUZANNE DAWN  
O-775 0800 (RSOP) REMS - MODULE - RAPID EXTRACTION  
O-853 1200 (SOF2) GREGR, BRETT

10/2/2023

### CREWS

C-91 0800 (CR2I) FIRESTORM 5C

### EQUIPMENT

E-444 0700 (WTC2) BLACK KNIGHT  
E-156 0715 (ENG6) J3 CONTRACTING  
E-404 0800 (WTS2) DARRAH LOGGING 1 - 362754  
E-335 0815 (WTS2) ++ CONSTRUCTION, THOMAS HORN  
E-466 0830 (TASK) TASK - CACNF TF6631  
E-472 0830 (ENG6) MT ADAMS WILDFIRE  
E-473 0845 (ENG6) MT ADAMS WILDFIRE  
E-474 0900 (ENG6) IMPERIAL FORESTRY  
E-475 0915 (ENG6) TRUCKEE MEADOWS FPD  
E-476 0930 (ENG6) FELIXFIRE E-619

### OVERHEAD

O-794 0000 (REAF) DAILEY, SCOTT  
O-743.84 0000 (PIO2) FRITZ, MARY  
O-583 0000 (GSUL) KEMNITZ, ALEXANDER NICHOLAS  
O-800 0000 (PSCT) RIJO, EDWIN  
O-774 0000 (HEBM) SUNDESTROM, REX  
O-787 0700 (MEDL) JACKSON, AMBER  
O-743.68 0700 (MEDL) KIRK, JONATHAN S  
O-753 0715 (TFLD) FRAZIER, THOMAS  
O-781 0730 (WFM2) WFM2 - EAGLE LAKE WFM  
O-845 0745 (RADO) LANDIS, JANE  
O-918 0800 (TFLD) HARRISS, STEVE  
O-830 0800 (DIVS) KUJALA, JAMES L  
O-820 0900 (TFLD) OROZCO, ANDRES STEVEN







## UNIT LOG (ICS 214)

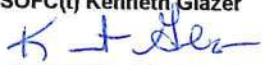
<b>1. Incident Name:</b> 2023 SRF Lightning Complex	<b>2. Operational Period:</b>	Date From:	10/1/23	Date To:	10/2/23
		Time From:	0700	Time To:	0700

<b>3. Unit Name/Designators</b>	<b>4. Unit Leader (Name and ICS Position)</b>
---------------------------------	---

5. Personnel Assigned/Designators		
NAME	ICS POSITION	HOME BASE

6. Activity Log (Continue on Reverse)	
TIME	MAJOR EVENTS

7. Prepared By:	Date/Time:	NIMS IAP
-----------------	------------	----------

1. Incident Name		2. Operational Period						
<b>SRF LIGHTNING COMPLEX</b>		Date/Time: <b>10/01/2023 0700-1900</b>						
3. Medical Aid Stations / Ambulance Services								
Name	Location	Frequency	Advanced Life Support (ALS)					
			Yes	No				
Frontline Medical Trailer	ORLEANS ICP	Walk-In	X					
<b>INCIDENT AMBULANCES</b>								
AMBO-5 Wilderness Medics	DIV J/Y	Command	X					
AMBO-2 Mountain Medics	DIV N	Command	X					
AMBO-3 Med Transport Inc	DIV M	Command	X					
AMBO-7 Injury Care EMS	DIV R	Command	X					
<b>LOCAL AMBULANCE</b>								
Hoopla Ambulance	ALS Intercept for HWY 96/196. DP 5	911 or 530-625-4180	X					
4. Air Rescue / Air Ambulance Services								
Name	Location	Aircraft & Capability						
Reach Air Medical 5	Redding	ALS	911					
CHP H-14/ H15	Redding	ALS/ Hoist	911					
North Coast Dispatch Air Desk			(707) 441-3658					
5. Hospitals (all times estimated from incident location)								
Name & Level	GPS Datum – (NAD 83) Degrees Decimal Minutes		Travel Time (From ICP)		Phone	Helipad		Address
	Lat:	Long:	Air	Gnd		Yes	No	
Mad River Community Hosp (Level 4)	N 40° 53.72'	W 124° 05.45'	30 MINS	2 HR	(707) 826-8264	X		3800 Janes Rd Arcada, CA
St. Joseph Hosp (Level 3 Antivenom)	N 40° 22.10'	W 121° 41.40'	35 MINS	2 HR 15 MIN	(707) 269-4250	X		2700 Dolbeer St Eureka, CA
Mercy Medical Center (Level 2)	N 40° 34.33'	W 122° 23.80'	50 MINS	3 HR 15 MIN	(775) 982-2005	X		2175 Rosaline Ave Redding, CA
U.C. Davis Medical Center (Level 1 Trauma / Burn)	N 38° 33.28'	W 121° 27.35'	2 HR	5 HRS	(916) 734-5669 ED (916) 734-3544 Rcrd	X		2315 Stockton Blvd. Sacramento, CA
6. Division / Crew Emergency Pre-Plan						<i>Update and discuss with assigned resources daily.</i>		
Fireline EMT / Medic's Division / Branch Location								
Air Hoist site location site: Lat: / Long: / Elevation:								
Helispot: Lat: / Long: / Elevation: MED LZ:								
7. Prepared By (Medical Unit Leader)			8. Date/Time		9. Reviewed By (Safety Officer)		10. Date/Time	
On Call MEDL 24HR (925) 324-9776 Kain Packwood MEDL (209) 202-2450			9/30/2023 1700		SOFC(t) Kenneth Glazer 		9/30/2023 1700	

Medical Incident Report

FOR A **NON-EMERGENCY INCIDENT**: WORK THROUGH CHAIN OF COMMAND TO REPORT AND TRANSPORT INJURED PERSONNEL AS NECESSARY.

FOR A **MEDICAL EMERGENCY**: IDENTIFY ON SCENE INCIDENT COMMANDER BY NAME AND POSITION AND ANNOUNCE "MEDICAL EMERGENCY" TO INITIATE RESPONSE FROM COMMUNICATIONS

**Use the following items to communicate situation to communications/dispatch.**

**1. CONTACT COMMUNICATIONS / DISPATCH** (Verify correct frequency prior to starting report)  
*Ex: "Communications, Div. Alpha. Stand-by for Emergency Traffic."*

**2. INCIDENT STATUS:** Provide incident summary (including number of patients) and command structure.  
*Ex: "Communications, I have a Red priority patient, unconscious, struck by a falling tree. Requesting air ambulance to Forest Road 1 at (Lat./Long.)  
 "This will be the Trout Meadow Medical Incident, IC is TFLD Jones. EMT Smith is providing medical care."*

Severity of Emergency / Transport Priority	<input type="checkbox"/> <b>RED / PRIORITY 1 Life or limb threatening injury or illness. Evacuation need is IMMEDIATE</b> <i>Ex: Unconscious, difficulty breathing, bleeding severely, 2° - 3° burns more than 4 palm sizes, heat stroke, disoriented.</i>	
	<input type="checkbox"/> <b>YELLOW / PRIORITY 2 Serious Injury or illness. Evacuation may be DELAYED if necessary.</b> <i>Ex: Significant trauma, unable to walk, 2° - 3° burns not more than 1-3 palm sizes.</i>	
	<input type="checkbox"/> <b>GREEN / PRIORITY 3 Minor Injury or illness. Non-Emergency transport</b> <i>Ex: Sprains, strains, minor heat-related illness.</i>	
Nature of Injury or Illness & Mechanism of Injury		Brief Summary of Injury or Illness <i>(Ex: Unconscious, Struck by Falling Tree)</i>
Transport Request		Air Ambulance / Short Haul/Hoist Ground Ambulance / Other
Patient Location		Descriptive Location & Lat. / Long. (WGS84)
Incident Name		Geographic Name + "Medical" <i>(Ex: Trout Meadow Medical)</i>
On-Scene Incident Commander		Name of on-scene IC of Incident within an Incident <i>(Ex: TFLD Jones)</i>
Crew Patient Care		Name of Care Provider <i>(Ex: EMT Smith)</i>

**3. INITIAL PATIENT ASSESSMENT:** Complete this section for each patient as applicable (start with the most severe patient)

Patient Assessment: (IRPG PAGE 106)	Age:	Weight:	Chief Complaint:
Skin Signs: (color/moisture/temp)	Level of Consciousness:	BP:	HR:      Respirations:
Treatment:			

**4. TRANSPORT PLAN:**  
 Evacuation Location (drop point, intersection, helispot, Lat. / Long, hazards)      Patient's ETA to Location:

**5. ADDITIONAL RESOURCES / EQUIPMENT NEEDS:**  
*Paramedic / EMT - Crews - Immobilization Devices - AED - Oxygen - Trauma Bag - IV/Fluid(s) - Splints - Rope rescue - Wheeled litter - HAZMAT - Extrication*

**6. COMMUNICATIONS: Identify State Air/Ground EMS Frequencies and Hospital Contacts as applicable**

Function	Channel Name/Number	Receive (RX)	Tone/NAC *	Transmit (TX)	Tone/NAC *
COMMAND					
AIR-TO-GRND					
TACTICAL					

**7. CONTINGENCY: Considerations:** If primary options fail, what actions can be implemented in conjunction with primary evacuation method?  
*Be thinking ahead.*

**8. ADDITIONAL INFORMATION:** Updates/Changes, etc.

**REMEMBER:**      Confirm ETA's of resources ordered. Act according to your level of training.  
 Be Alert - Keep Calm - Think Clearly - Act Decisively  
 \*\*\* Follow up with MEDL upon return to ICP \*\*\*