

# California Interagency Mobilization Guide

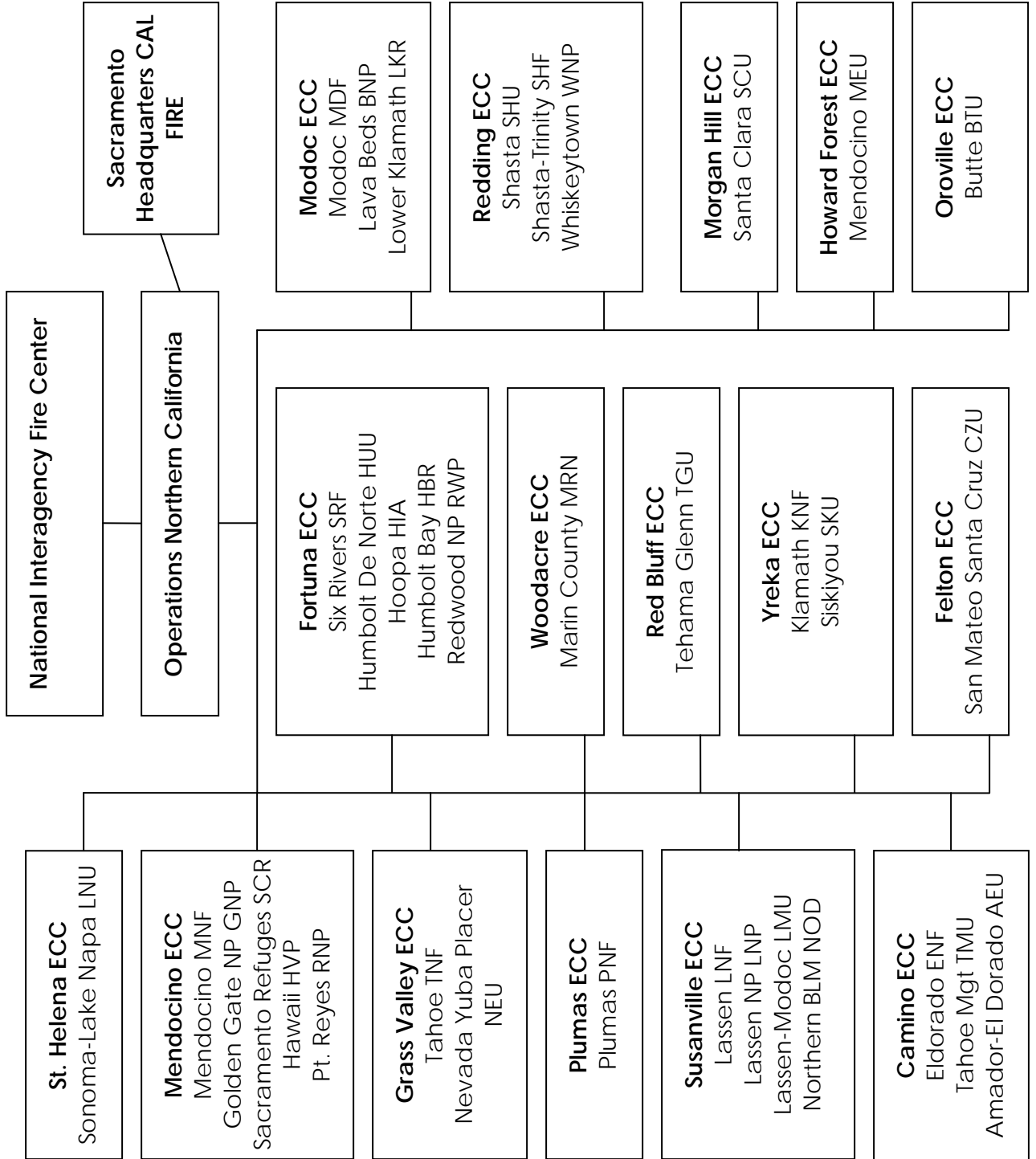
## 30 – ORGANIZATION

Table Of Contents	Pages
<b>30 – ORGANIZATION</b>	<b>111</b>
Northern California	111
Southern California	112
<b>31 - CALIFORNIA DISPATCH ORGANIZATION</b>	<b>113</b>
<b>32 - COORDINATION FLOW</b>	<b>114</b>
<b>33 – CalEMA FIRE AND RESCUE REGIONAL MAP</b>	<b>115</b>

**THIS PAGE INTENTIONALLY LEFT BLANK**

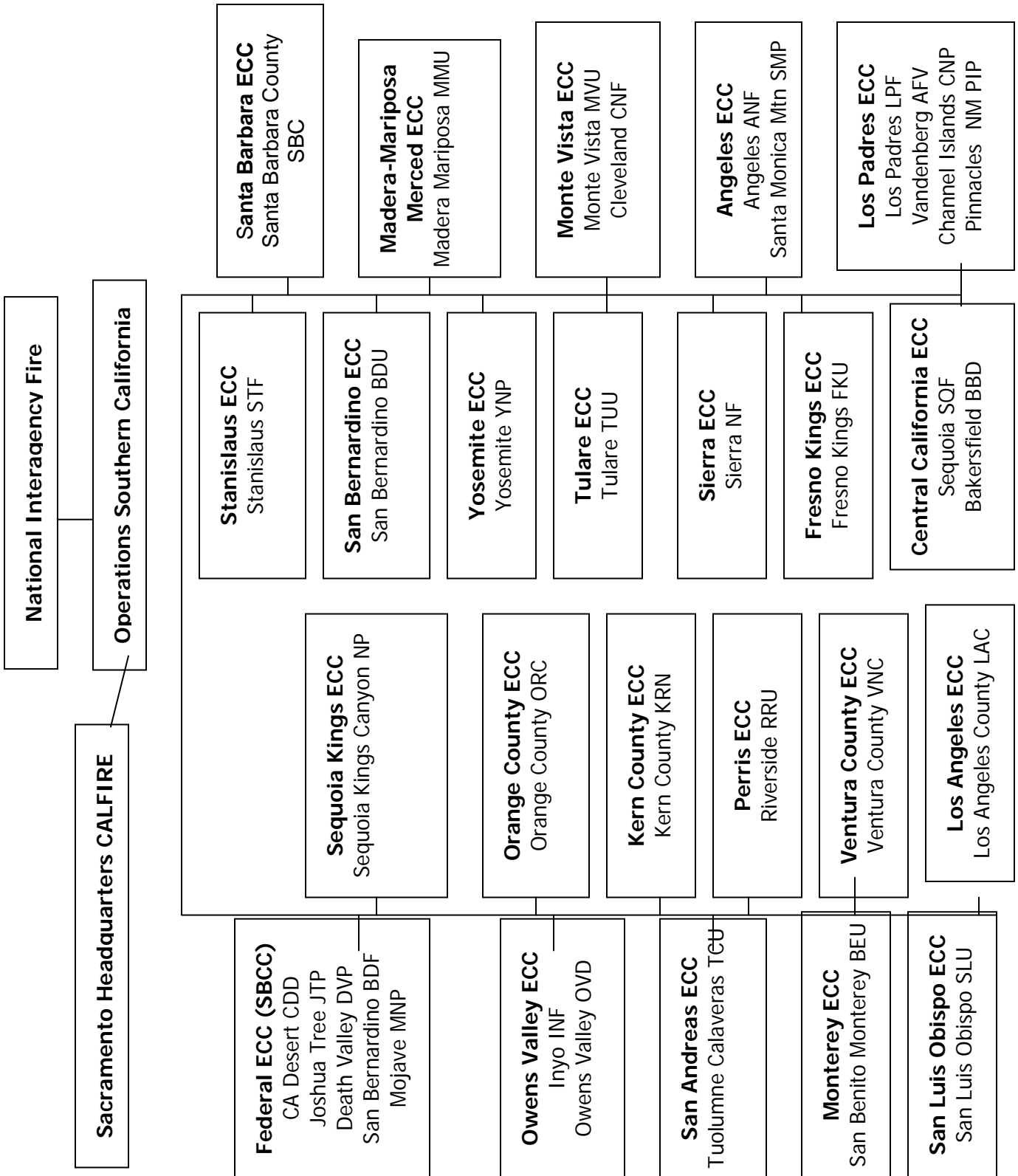
30 – ORGANIZATION

Northern California  
Dispatch Channels

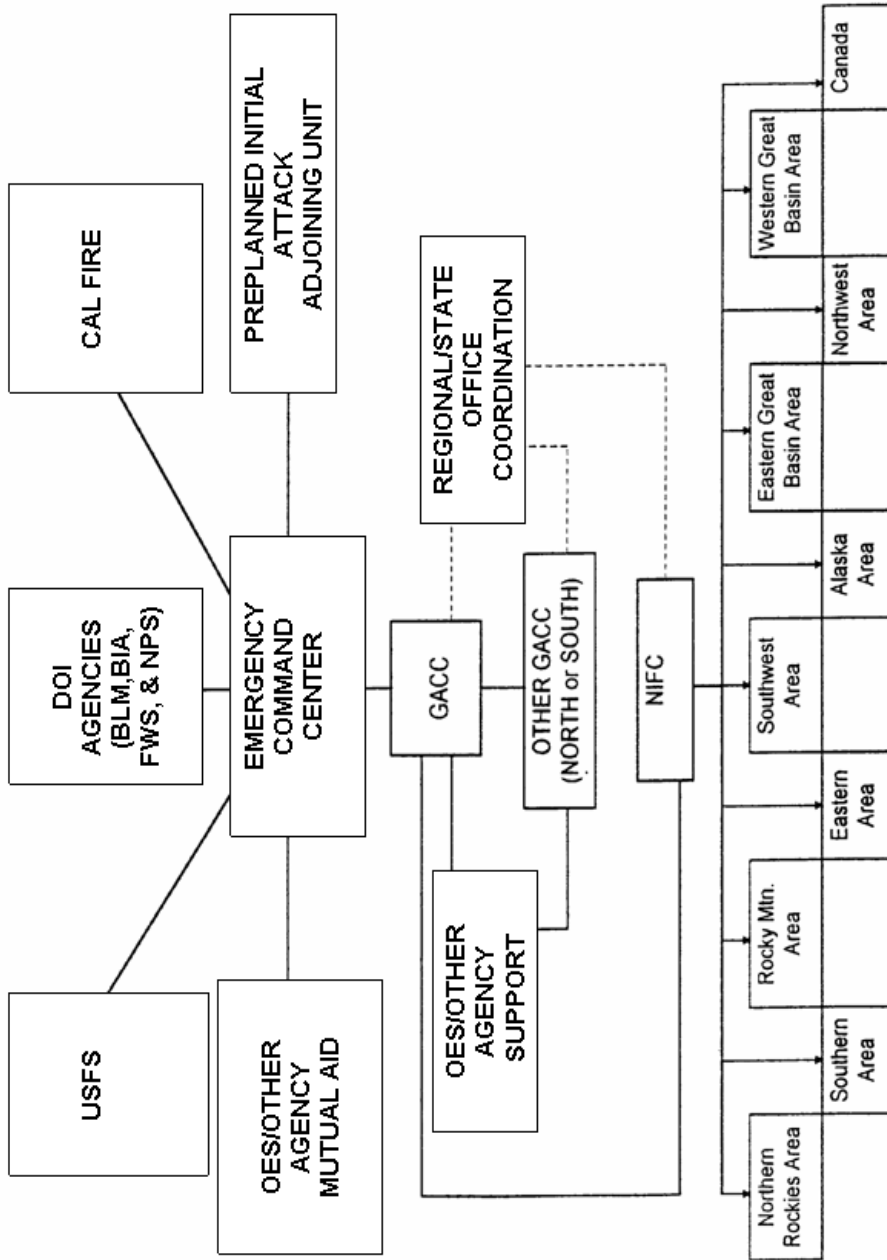


# California Interagency Mobilization Guide

## Southern California Dispatch Channels

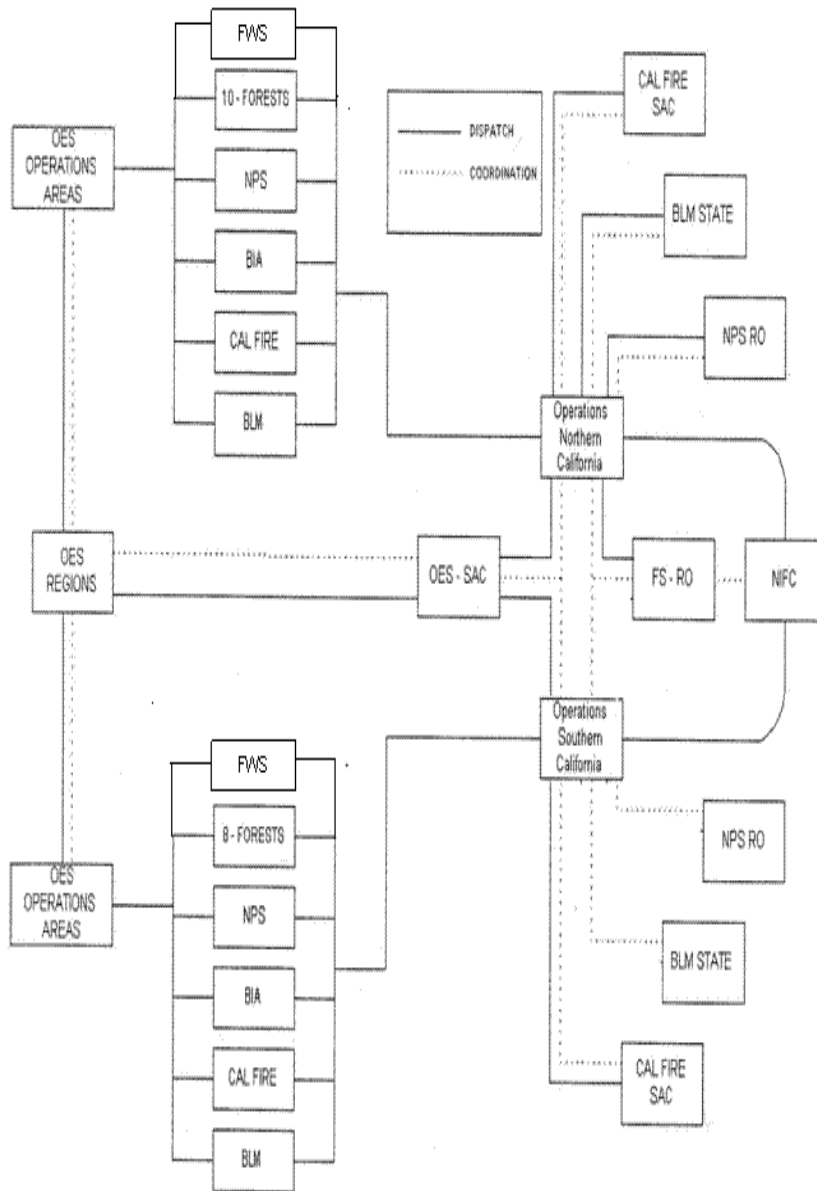


31 - CALIFORNIA DISPATCH ORGANIZATION



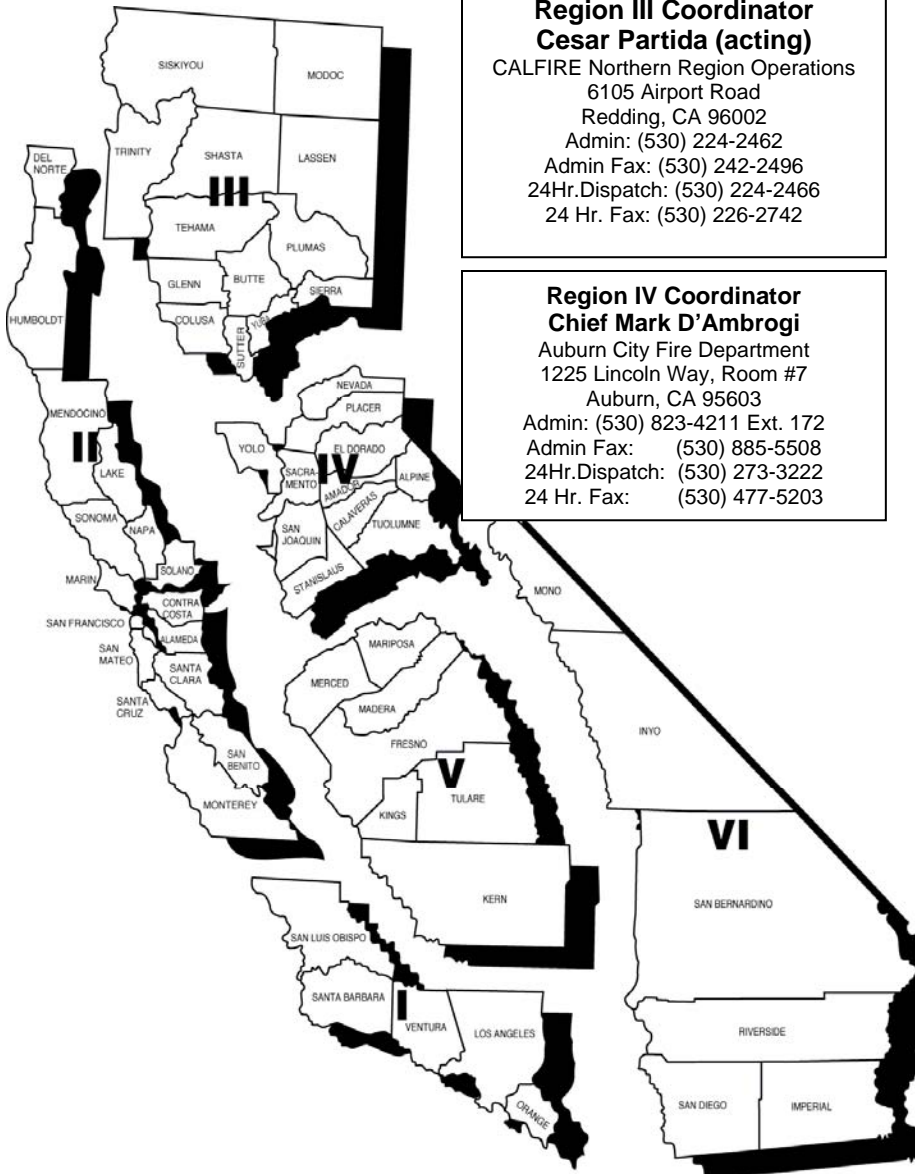
# California Interagency Mobilization Guide

## 32 - COORDINATION FLOW



# California Interagency Mobilization Guide

## 33 – CalEMA FIRE AND RESCUE REGIONAL MAP



**Region III Coordinator**  
**Cesar Partida (acting)**  
 CALFIRE Northern Region Operations  
 6105 Airport Road  
 Redding, CA 96002  
 Admin: (530) 224-2462  
 Admin Fax: (530) 242-2496  
 24Hr.Dispatch: (530) 224-2466  
 24 Hr. Fax: (530) 226-2742

**Region IV Coordinator**  
**Chief Mark D'Ambrogi**  
 Auburn City Fire Department  
 1225 Lincoln Way, Room #7  
 Auburn, CA 95603  
 Admin: (530) 823-4211 Ext. 172  
 Admin Fax: (530) 885-5508  
 24Hr.Dispatch: (530) 273-3222  
 24 Hr. Fax: (530) 477-5203

**CalEMA Fire & Rescue Branch**  
 Sacramento Headquarters  
 3650 Schriever Avenue  
 Mather, CA 95655

**Fire & Rescue Branch: (916) 845-7111**  
**Nights & Weekends: (916) 845-8911**  
**FAX: (916) 845- 8396**  
**E-Mail: [OES.Fire@oes.ca.gov](mailto:OES.Fire@oes.ca.gov)**  
**Chief Kim Zagaris**

**Fire Operations**  
 Deputy Chief: Bob Praytor  
 Assistant Chief Paul Beckstrom

**Fire Administration**  
 Deputy Chief: Bob Wyman

**FIRESCOPE**  
 Deputy Chief Tom Drayer- Riverside  
 Assistant Chief Pat O'Bannon - Redding

**Special Operations**  
 Deputy Chief-Vacant  
 Assistant Chief Len Chesmore

**Region V Coordinator**  
**Chief Candace Gregory**  
 CAL FIRE-Southern Region Headquarters  
 1234 Shaw Avenue  
 Fresno, CA 993710-7899  
 Admin: (559) 222-3714  
 Admin Fax: (559) 222-3409  
 24 Hr. Dispatch: (559) 292-5271  
 24 Hr Fax: (559) 292-0368

**Region VI Coordinator**  
**Chief Bob Green**  
 CAL FIRE-Southern Region  
 Operations Center  
 2524 Mulberry St  
 Riverside, CA 92501  
 Admin: (951) 320-4140  
 Admin Fax: (951) 320-6395  
 24 Hr. Dispatch: (951) 320-6197

**Region II Coordinator**  
**Chief Keith Richter**  
 Contra Costa County Fire Dept.  
 2010 Geary Road  
 Pleasant Hill, CA 94523  
 Admin: (925) 941-3500  
 Admin Fax: (925) 941-3319  
 24 Hr. Dispatch: (925) 941-3355  
 24 Hr. Fax: (925) 941-3339

**Region I Coordinator**  
**Chief P. Michael Freeman**  
 Los Angeles County Fire Dept.  
 1320 N. Eastern Avenue  
 Los Angeles, CA 90063-3294  
 Admin: (323) 881-2401  
 Admin Fax: (323) 266-6925  
 24 Hr. Dispatch: (323) 881-2455  
 24 Hr. Fax: (323) 266-6925

