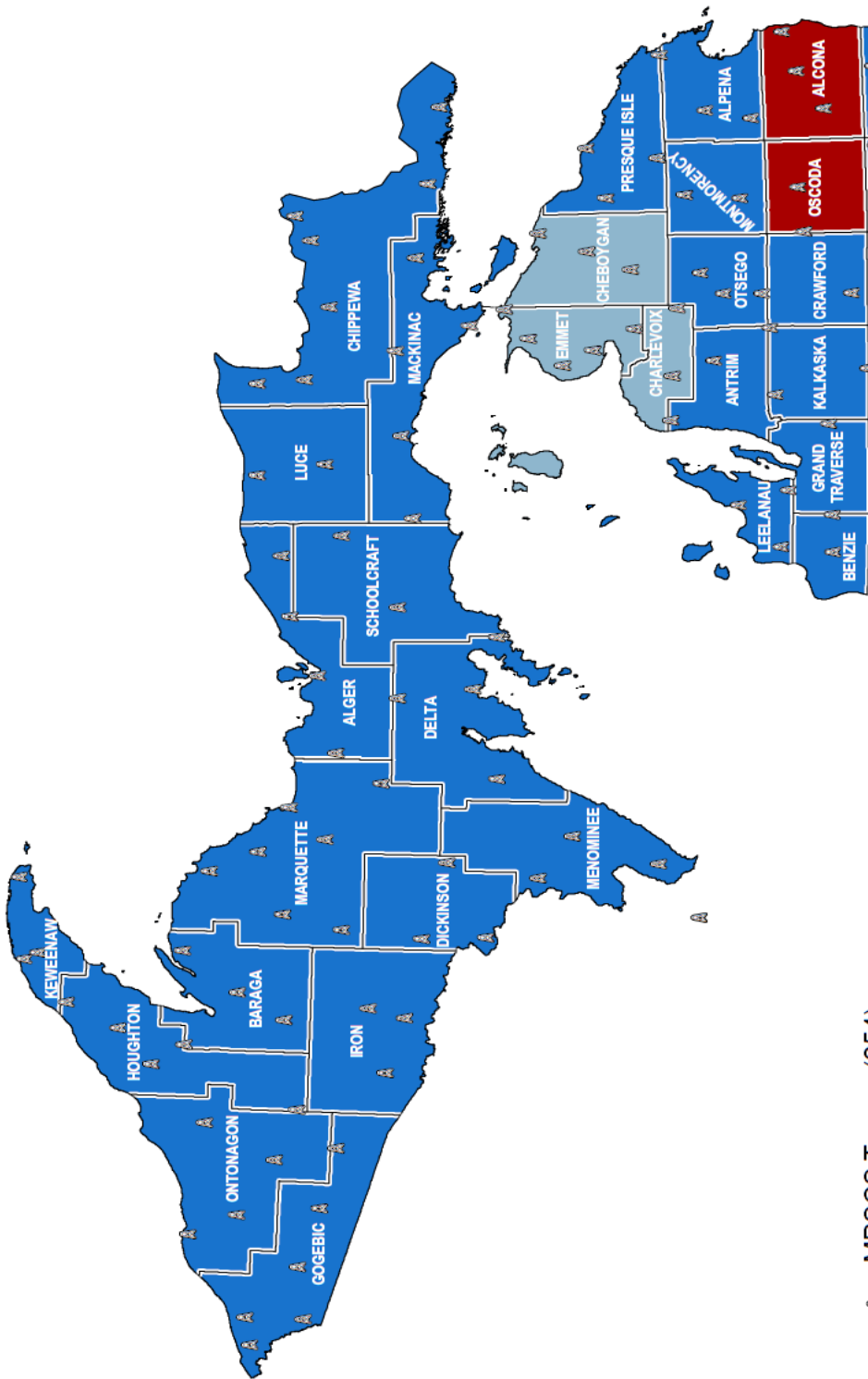


Upper Peninsula Fire Management Hiawatha and Ottawa National Forests

Radio User's Guide



© MDCOG Technical Services

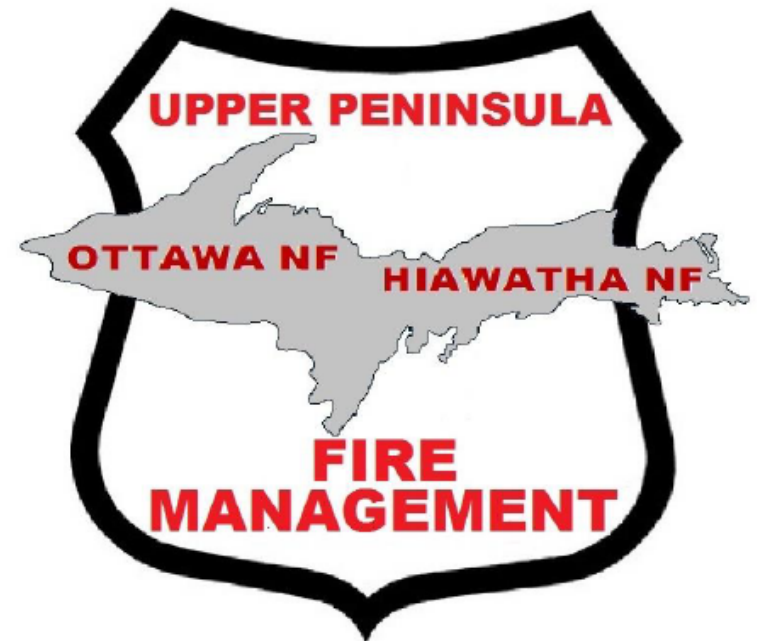


Table of Contents

General

<u>Talking on the Radio</u>	4
<u>Talking to Dispatch</u>	4
<u>Channel List by Zone</u>	5
<u>Tone Selectable List</u>	6

KNG Handheld

<u>KNG Handheld Radio Controls</u>	7
<u>KNG Handheld High and Low Power</u>	8
<u>KNG Handheld Scan Functions</u>	8
<u>KNG Handheld Editing Priority Channel</u>	9
<u>KNG Handheld Channel Selection</u>	9
<u>KNG Handheld Repeater Selection</u>	9
<u>KNG Handheld Changing Zones</u>	10
<u>KNG Handheld Batteries</u>	10

KNG Mobile

<u>KNG Mobile Radio/Microphone Controls</u>	11
<u>KNG Mobile Scan Functions</u>	12
<u>KNG Mobile Display Indicator Lights</u>	12
<u>KNG Mobile Editing Priority Channel</u>	13
<u>KNG Mobile Channel Selection</u>	13
<u>KNG Mobile Repeater Selection</u>	13
<u>KNG Mobile Changing Zones</u>	14

DPH/GPH Handheld

<u>DPH/GPH Handheld Radio Controls</u>	16
<u>DPH/GPH Handheld High and Low Power</u>	17

64	Oceana
65	Ogemaw
66	Ontonagon
67	Osceola
68	Oscoda
69	Otsego
70	Ottawa
71	Presque Isle
72	Roscommon
73	Saginaw
74	St. Clair
75	St. Joseph
76	Sanilac
77	Schoolcraft
78	Shiawassee
79	Tuscola
80	Van Buren
81	Washtenaw
82	Wayne
83	Wexford

County by Unit	UPFM West Zone	UPFM Central Zone	UPFM East Zone	HMF

#	County
1	Alcona
2	Alger
3	Allegan
4	Alpena
5	Antrim
6	Arenac
7	Baraga
8	Barry
9	Bay
10	Benzie
11	Berrien
12	Branch
13	Calhoun
14	Cass
15	Charlevoix
16	Cheboygan
17	Chippewa
18	Clare
19	Clinton
20	Crawford
21	Delta

22	Dickinson
23	Eaton
24	Emmet
25	Genesee
26	Gladwin
27	Gogebic
28	Grand Traverse
29	Gratiot
30	Hillsdale
31	Houghton
32	Huron
33	Ingham
34	Ionia
35	Iosco
36	Iron
37	Isabella
38	Jackson
39	Kalamazoo
40	Kalkaska
41	Kent
42	Keweenaw

43	Lake
44	Lapeer
45	Leelanau
46	Lenawee
47	Livingston
48	Luce
49	Mackinac
50	Macomb
51	Manistee
52	Marquette
53	Mason
54	Mecosta
55	Menominee
56	Midland
57	Missaukee
58	Monroe
59	Montcalm
60	Montmorency
61	Muskegon
62	Newaygo
63	Oakland

<u>DPH/GPH Handheld Scan Functions</u>	17
<u>DPH/GPH Handheld Editing Priority Channel</u>	18
<u>DPH/GPH Handheld Channel Selection</u>	18
<u>DPH/GPH Handheld Repeater Selection</u>	18
<u>DPH/GPH Handheld Changing Groups</u>	19
<u>DPH/GPH Handheld Batteries</u>	19

DMH Mobile

<u>DMH Mobile Radio Controls</u>	20
<u>DMH Mobile Scan Functions</u>	20
<u>DMH Mobile Editing Priority Channel</u>	21
<u>DMH Mobile Channel Selection</u>	21
<u>DMH Mobile Repeater Selection</u>	21
<u>DMH Mobile Changing Zones</u>	22

Frequency Lists

<u>HIF Common & OTF Common</u>	23
<u>Weather & UPFM EZ</u>	24
<u>UPFM CZ & UPFM WZ</u>	25
<u>CNNF East & CNNF West</u>	26
<u>Stateline & HMF East Fire</u>	27
<u>HMF West Fire & Public Safety</u>	28

Repeater Maps

<u>Huron-Manistee NF Repeater Map</u>	29
<u>Chic-Nic NF Repeater Map</u>	30
<u>Hiawatha NF Repeater Maps</u>	31
<u>Ottawa NF Repeater Maps</u>	32

General Radio Information

Talking on the Radio

When you need to talk on the radio it is very important that you follow the right protocol. To call someone (or place) hold the Push to Talk (PTT) button for at least two seconds and clearly say who you are calling followed by your last name and then be sure to say the **NAME** of the channel or repeater you are using. **Do not use channel numbers.** Wait a minute and if no answer try again. At the end of a conversation say your last name or call sign followed by “clear”.

Remember it’s like giving a present, “*To_____ From_____*”

In an emergency, clear the channel by starting your transmission with “***This is an Emergency***”. All non-emergency communications should wait until the emergency is over.

There are several county sheriff and EMS channels on the radio. These channels are for fire monitoring and **Emergency** traffic only.

Dispatch

Cadillac Dispatch is our dispatch center (started March 1st, 2015). It is located on Huron-Manistee National Forest in Cadillac, Michigan.

Cadillac Dispatch: 231-775-8732

Ensure that you tell dispatch what repeater you are talking on. For example: “Cadillac Dispatch, Smith on Trapp” or “Cadillac Dispatch, Smith off of Kenton Repeater”. Do not use the channel number as that will cause confusion and may delay a response from dispatch. Give the dispatcher time to respond as they are dispatching for multiple national forests, other agencies, and may have a fire or other emergency taking place on one of the other units.

If you plan to use dispatch and will be working outside of the normal working day, you will need to make plans with dispatch ahead of time so dispatch can plan for it. **This may require a job code as well for any overtime required by them.**

Additional information and staffing of fire resources can be found on their website at: mimidc.org.

UPFM West Zone		
Zone M	Talkgroup Name	Description
1	STATW8	Statewide to MSP 8
2	31OTAWA	Ottawa NF
3	27FE911	Gogebic Co. Fire/EMS
4	27COM	Gogebic CO. Common
5	66FE911	Ontonagon Co Fire/EMS
6	66COM	Ontonagon Co Common
7	36FE911	Iron Co. Fire/EMS
8	36COM	Iron Co. Common
9	07FE911	Baraga Co. Fire/EMS
10	07COM	Baraga Co. Common
11	31FE911	Houghton Co. Fire/EMS
12	31COM	Houghton Co. Common
13	52FE911	Marquette Co. Fire/EMS
14	52COM	Marquette Co. Common
15	FMUP	DNR Fire Mgt Upper Peninula
16	STATW8	Statewide to MSP 8
XTS-2500/XTS-5000/APX-4000/P-800		

FS/DNR UP		
Zone L	Talkgroup Name	Description
1	STATW8	Statewide to MSP 8
2	31OTAWA	Ottawa NF
3	HIAFIRE	Hiawatha NF
4	83USFSAD	Huron Manistee NF
5	FMUP	DNR Fire Mgt Upper Peninula
6	FMBARAG	DNR Baraga Unit
7	FMC FALL	DNR Crystal Falls Unit
8	FMSAULT	DNR Sault Unit
9	FMNEWBY	DNR Newberry Unit
10	FMESCAN	DNR Escanaba Unit
11	FMGWINN	DNR Gwinn Unit
12	FMSHING	DNR Shingleton Unit
13	FMFIR1	DNR Tac 1
14	8TAC91D	Tac Direct
15	8TAC92D	Tac Direct
16	FMLP	DNR Fire Mgt Lower Peninula
XTS-2500/XTS-5000/APX-4000/P-800		

Air		
Zone E	Talkgroup Name	Description
1		LE (Not in Radio)
2		LE (Not in Radio)
3		LE (Not in Radio)
4		LE (Not in Radio)
5		LE (Not in Radio)
6		LE (Not in Radio)
7		LE (Not in Radio)
8	AIRLZ1	MediVac Landing 1
9	AIRLZ2	MediVac Landing 1
10		
11		
12		
13		
14		
15		
16		

State Tacs		
Zone F	Talkgroup Name	Description
1	8CALL90	Convention Hailing Ch to MSP
2	8CAL90D	Convention Direct Tac Channel
3	8TAC91	Convention Repeat Tac Channel
4	8TAC91D	Convention Direct Tac Channel
5	8TAC92	Convention Repeat Tac Channel
6	8TAC92D	Convention Direct Tac Channel
7	8TAC93	Convention Repeat Tac Channel
8	8TAC93D	Convention Direct Tac Channel
9	8TAC94	Convention Repeat Tac Channel
10	8TAC94D	Convention Direct Tac Channel
11	7CAL50D	
12	7TAC51D	
13	7TAC52D	
14	7TAC53D	
15	7TAC54D	
16	7TAC55D	

Channel List by Group/Zone

UPFM Zone/Channel List																										
Zone 1		Zone 2		Zone 3		Zone 4		Zone 5		Zone 6		Zone 7		Zone 8		Zone 9		Zone 10		Zone 11		Zone 12				
HIF Common	HIF W DIR	OTF Common	OTF DIR	Weather	WX 1	WX 2	WX 3	WX 4	WX 5	WX 6	WX 7	HIF E DIR	HIF W DIR	HIF E DIR	HIF W DIR	UPFM Central Zone	UPFM West Zone	CNNF East	CNNF West	MI MI StateLine	MI MI StateLine	HMF East Fire	HMF West Fire	Public Safety		
1	HIF W DIR	1	OTF DIR		1	2	3	4	5	6	7	1	1	1	1	1	1	1	1	1	1	1	1	1	1	
2	TIE HILL	2	TRAPP HILL		2	3	4	5	6	7	8	2	2	2	2	2	2	2	2	2	2	2	2	2	2	2
3	ONOTA	3	MARENISCO		3	4	5	6	7	8	9	3	3	3	3	3	3	3	3	3	3	3	3	3	3	3
4	ST JACOU	4	ROCKLAND		4	5	6	7	8	9	10	4	4	4	4	4	4	4	4	4	4	4	4	4	4	4
5	SENEY	5	GIBBS		5	6	7	8	9	10	11	5	5	5	5	5	5	5	5	5	5	5	5	5	5	5
6	WETMORE	6	MCNIBRH		6	7	8	9	10	11	12	6	6	6	6	6	6	6	6	6	6	6	6	6	6	6
7	HIF W PRJ	7	KENTON		7	8	9	10	11	12	13	7	7	7	7	7	7	7	7	7	7	7	7	7	7	7
8	HIF E DIR	8	SYLVANIA		8	9	10	11	12	13	14	8	8	8	8	8	8	8	8	8	8	8	8	8	8	8
9	MAPLE HILL	9	BESSEMER		9	10	11	12	13	14	15	9	9	9	9	9	9	9	9	9	9	9	9	9	9	9
10	MCNEARNEY	10	ALLGOV1		10	11	12	13	14	15	16	10	10	10	10	10	10	10	10	10	10	10	10	10	10	10
11	HIF E PRJ	11	ALLGOV2		11	12	13	14	15	16	17	11	11	11	11	11	11	11	11	11	11	11	11	11	11	11
12	R9 TAC	12	R9 TAC		12	13	14	15	16	17	18	12	12	12	12	12	12	12	12	12	12	12	12	12	12	12
13	V FIRE 23	13	V FIRE 23		13	14	15	16	17	18	19	13	13	13	13	13	13	13	13	13	13	13	13	13	13	13
14	SENEY DIR	14	DNR TAC1		14	15	16	17	18	19	20	14	14	14	14	14	14	14	14	14	14	14	14	14	14	14
15	AIG 46	15	AIG 46		15	16	17	18	19	20	21	15	15	15	15	15	15	15	15	15	15	15	15	15	15	15
16	AIRGUARD	16	AIRGUARD		16	17	18	19	20	21	22	16	16	16	16	16	16	16	16	16	16	16	16	16	16	16

List of Repeaters for the 3 Tone Selectable Zones

UPFM Tone List			
#	Tone	OTF	HMF
1	110.9		NEWAYGO
2	123.0	TRAPP HILL	GLENNIE
3	131.8	MARENISCO	CABERFAE
4	136.5	ROCKLAND	HARRISVILLE
5	146.2	GIBBS	UDELL
6	156.7	KENTON	LUZERNE
7	167.9	BESSEMER	HART
8	103.5	SYLVANIA	SILVER
9	100.0		
10	107.2		MALBY
11	114.8		
12	127.3	MCKK/BRH	

UPFM Central Zone		
Zone C	Talkgroup Name	Description
1	HIAFIRE	Hiawatha NF
2	HFIREW	Hiawatha NF Tac West
3	FMUP	DNR Fire Mgt Upper Peninula
4	FMFIRE1	DNR Tac 1
5	FMESCAN	DNR Escanaba Unit
6	FMGWINN	DNR Gwinn Unit
7	FMSHING	DNR Shingleton Unit
8	PIRO COM	Pictured Rocks
9	02FE911	Alger Co. Fire/EMS
10	02SPEV1	Alger Co.
11	02SPEV2	Alger Co.
12	21FE911	Delta Co. Fire/EMS
13	21FIRE1	Delta Co.
14	77FE911	Schoolcraft Fire/EMS
15	77FIRE1	Schoolcraft Co.
16	77FIRE2	Schoolcraft Co.
In all Radios		

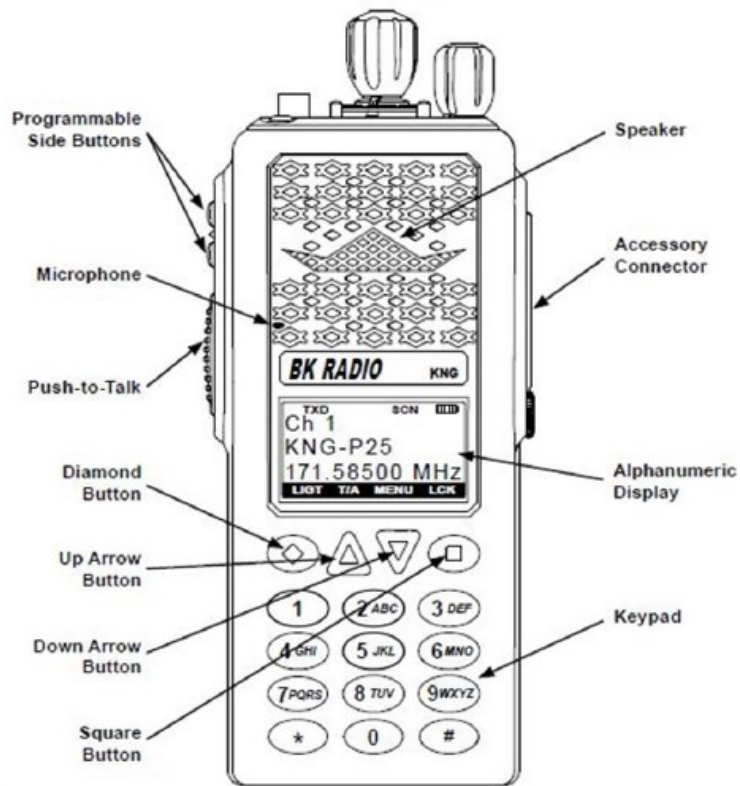
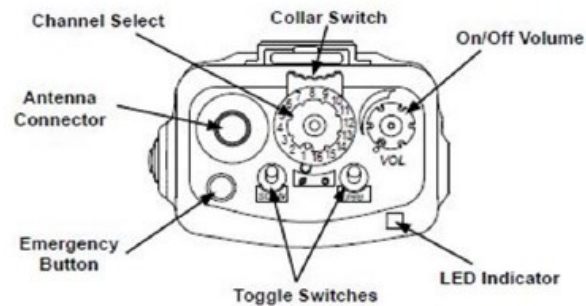
DNR		
Zone D	Talkgroup Name	Description
1	FMUP	DNR Fire Mgt Upper Peninula
2	FMBARAG	DNR Baraga Unit
3	FMC FALL	DNR Crystal Falls Unit
4	FMGWINN	DNR Gwinn Unit
5	FMESCAN	DNR Escanaba Unit
6	FMSHING	DNR Shingleton Unit
7	FMNEWBY	DNR Newberry Unit
8	FMSAULT	DNR Sault Unit
9	FMFIR1	DNR Tac 1
10	FMFIR2	DNR Tac 2
11	FMFIR3	DNR Tac 3
12	FMFIR4	DNR Tac 4
13	FMFIR5	DNR Tac 5
14	FMLP	DNR Fire Mgt Lower Peninula
15	RAP1	DNR ?
16	FMUP	DNR Fire Mgt Upper Peninula

Federal Zone		
Zone A	Talkgroup Name	Description
1	31OTAWA	Ottawa NF
2	HIAFIRE	Hiawatha NF
3	HFIREE	Hiawatha NF Tac East
4	HFIREW	Hiawatha NF Tac West
5	83USFSAD	Huron Manistee NF
6	83USFST1	Huron Manistee NF Tac 1
7	83USFST2	Huron Manistee NF Tac 2
8	SLBECOM	Sleeping Bear Dunes
9	SLBEICS	Sleeping Bear Dunes
10	PIROCOM	Pictured Rocks
11	PIORVP	Pictured Rocks
12	PIOPSP1	Pictured Rocks
13	PIOPSP2	Pictured Rocks
14	BIAADM	BIA Admin
15	BIATAC1	BIA Tac 1
16	BIATAC2	BIA Tac 2
In All Radios		

UPFM East Zone		
Zone B	Talkgroup Name	Description
1	HIAFIRE	Hiawatha NF
2	HFIREE	Hiawatha NF Tac East
3	FMUP	DNR Fire Mgt Upper Peninsula
4	FMFIRE1	DNR Tac 1
5	FMSAULT	DNR Sault Unit
6	FMNEWBY	DNR Newberry Unit
7	17FE911	Chippawa VFD Fire/EMS
8	17COM	Chippawa Co
9	17SPEV1	Chippawa Co
10	17SPEV2	Chippawa Co
11	49FE911	Mackinac VFD Fire/EMS
12	49COM	Mackinac Co
13	49SPEV1	Mackinac Co
14	49SPEV2	Mackinac Co
15	8TAC91D	Tac Dir.
16	8TAC92D	Tac Dir.
In All Radios		

KNG (P150) Radios

Radio Controls



KNG Handheld Radio Controls

- ON/OFF / VOLUME – Self-explanatory.
- Toggle Switches – The two toggle switches on the top of the radio are for Scan and Priority.
- Collar Switch – High and Low Power. Ø = Low Power, O = High
- Orange Button – No assigned function
- Top Programmable Side Button – Back light on/off
- Bottom Programmable Side Button - Monitor
- Diamond Button – Squelch Adjust
- Up Arrow Button – Nuisance Channel Delete
- Down Arrow Button - Menu
- Square Button – Tx Tone Picklist (User Code Guard)

-Keypad lock – press and hold the * to lock/unlock keypad

High and Low Power

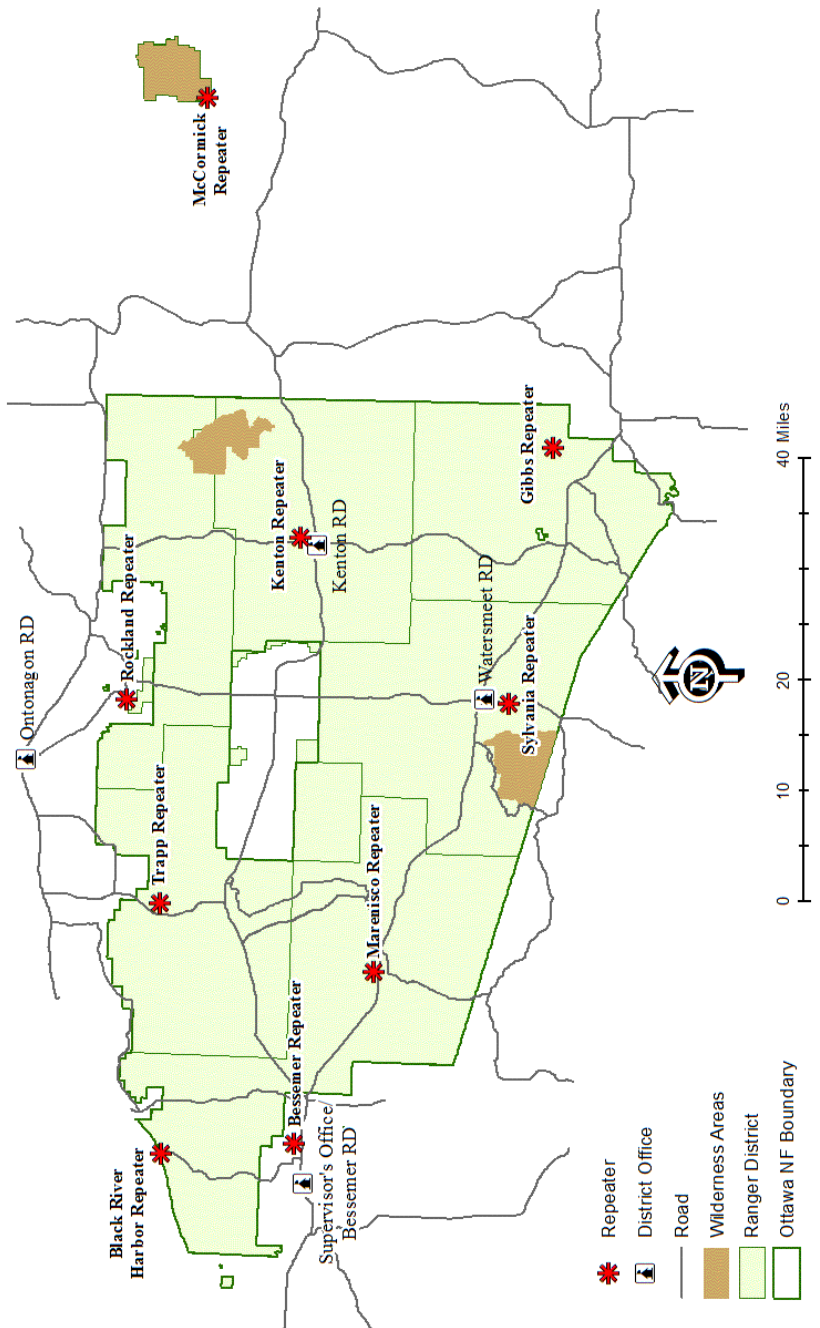
The Collar Switch controls the transmit power. During normal use this toggle should be on Ø “Low power.” If you are having a hard time hitting the repeater you can switch to O “High power” and try again. High power will drain your batteries very fast.

Scan Functions

The toggle labeled “Scan” is for Scan control. If you feel the need to scan multiple channels this switch should be in the down position (toward the front of the radio). This function scans all channels in the scan list. Remember, you must always monitor DIRECT while working in the field. If you are working on ALL GOV 1 or 2 you must scan channel 1 “DIRECT”. To see what channels are in your scan list:

1. Press the button corresponding to the MENU (Down Button).
2. Use the Up and Down buttons to scroll to SCAN LIST, press ENT (Square Button).
3. Scroll through the channels using the Up/Down buttons, channels that are being scanned will show a “+” next to the name.
4. When you reach a channel you would like in the scan list press the +/- button (Square Button).
5. To remove a channel press the +/- button (Square Button) on a channel showing a “+”
6. Press ESC (Diamond Button) until you are back to the main screen.

OTTAWA NATIONAL FOREST RADIO REPEATER LOCATIONS



Priority Channel

The toggle labeled “PRI” is for priority control. This is the channel that will override all other channels in your scan list. “DIRECT” (channel 1) is programmed as the priority channel. If you need to change the Priority Channel;

1. Press the up arrow with PRI labeled above it.
2. Select “Priority 1” by pressing ENT (Square Button)
3. Select “User Per Zone”
4. Scroll to the desired priority channel and press ENT (Square Button)
5. Press ESC (Diamond Button) until you are back to the main screen

To activate Priority override, flip the toggle down (towards the front of the radio).

Channel Selection

To select channels turn the knob while looking at the display until the channel you want to use appears. This may be the name of the channel or just the channel number depending on the radio model and/or radio settings. A channel list by zone can be found on page 5.

When in the field, inter-crew communication should be kept on ALL GOV 1, ALL GOV 2, or PROJECT rather than REPEAT or DIRECT. There are also fire tactical channels (R9 TAC and TAC 1) that are to be used only during fire operations.

There are several County and State Fire channels on the radio. These channels are for fire monitoring and **Emergency** traffic only.

Repeater Selection

When trying to contact another person or office you may need to use a repeater. To figure out what repeater to use, look at the repeater maps at the end of this guide. All repeater within a zone are broken out by channel with the exception of zones 6, 10, and 11. The OTF fire zone (zone 6) and the 2 HMF Fire zones (zones 10 & 11) repeaters are based on the “REP” channel (channel 2 on the dial) and you select individual repeaters by using the keypad. This is known as tone selectable. If you are on the Ottawa NF, within the Watersmeet land base and you wanted to talk on the Sylvania Repeater;

1. Turn the knob until OTF REP reads on the display (CH 2)
2. Press the button corresponding to TCG (Diamond Button)
3. Scroll to “8 – 103.5” and press ENT (Square Button)

You should now be able to talk on the Sylvania repeater.

When working in an unfamiliar area it is best to check with the local district employees to find out what repeater best serves that area. Repeater maps can be found at the end of this guide.

Changing Zones

There are 12 zones (groups) programed in your radio. The zones are as follows:

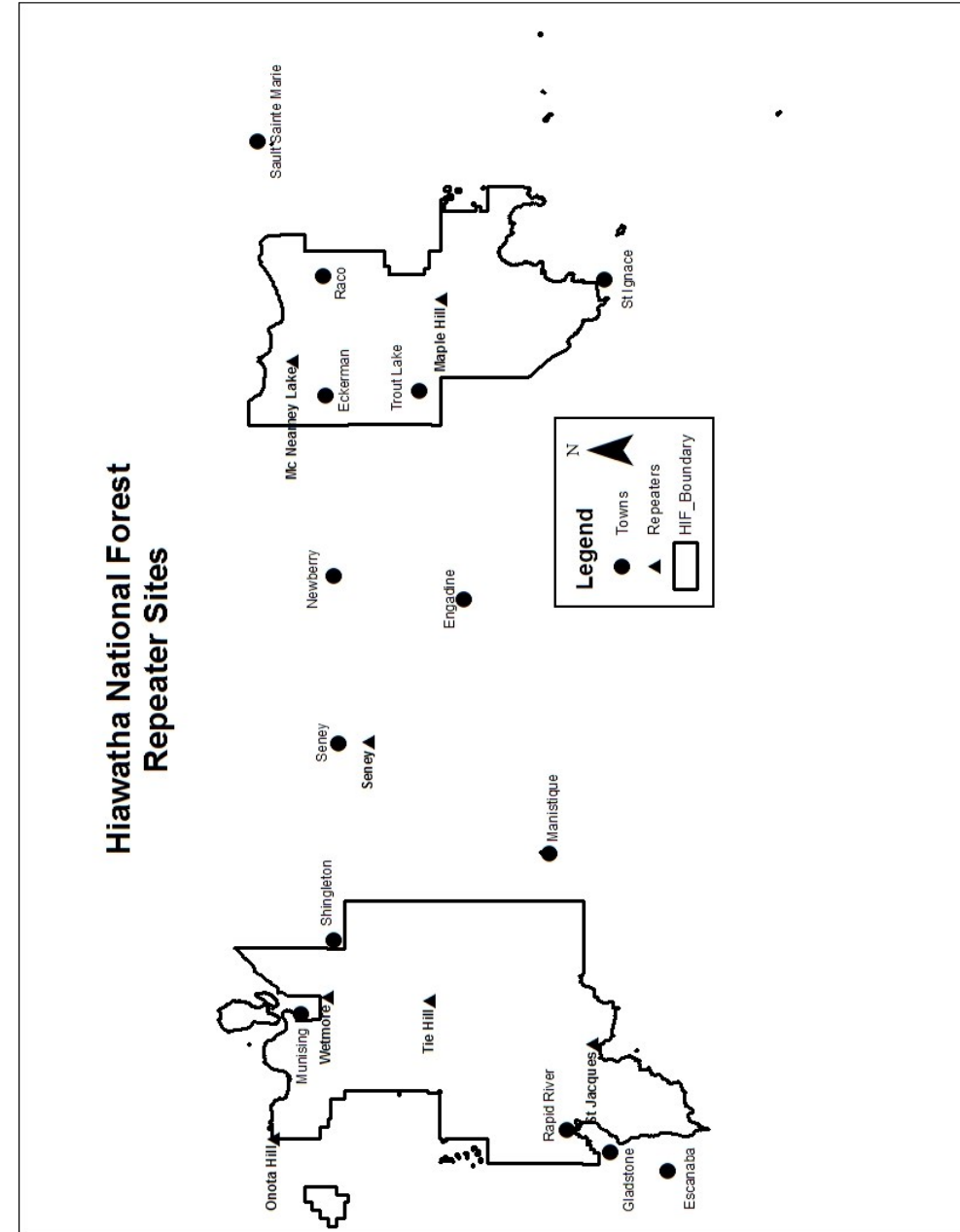
UPFM Zone List	
1	HIF COM
2	OTF COM
3	Weather
4	UPFM EZ
5	UPFM CZ
6	UPFM WZ
7	CNNF EAST
8	CNNF WEST
9	MI/WI Stateline
10	HMF EAST
11	HMF WEST
12	Public Safety

If you need to change what zone (group) you are operating in;

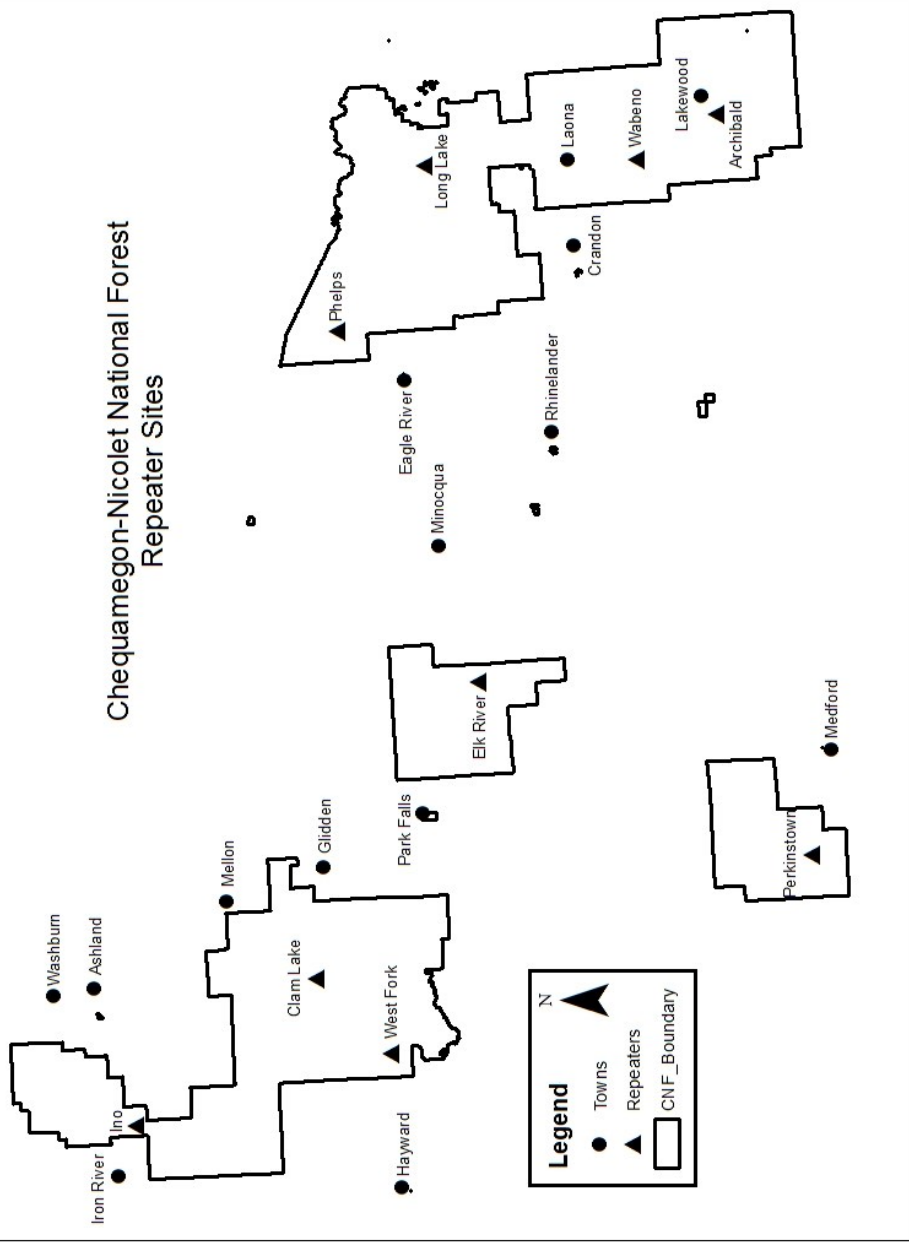
1. Press the # key
2. Press the number of the desired Zone and press ENT (Square Button)

Batteries

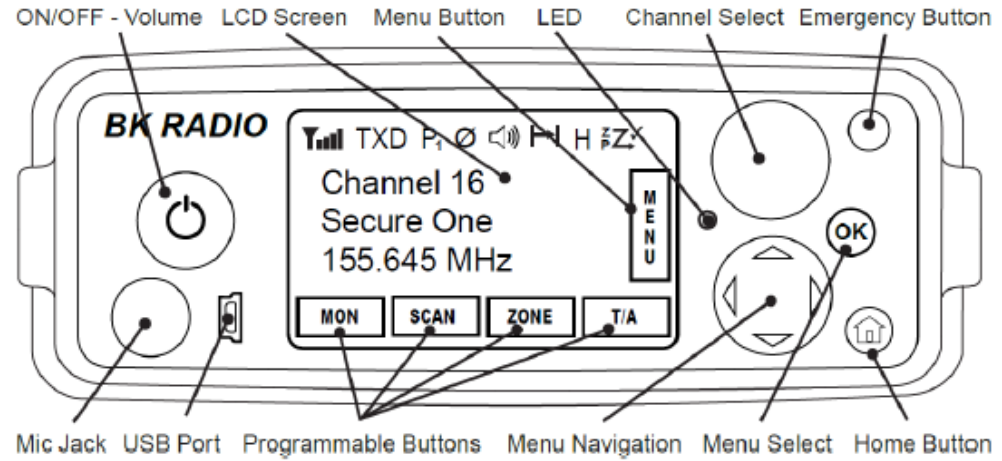
There are two different types of batteries that are compatible with these radios a Lithium Ion (Li-ion) rechargeable battery and the clam shell. The clam shell is a battery pack that uses 8 'AA' batteries. Always carry a minimum of one extra battery pack for your radio as the KNG clam shells rarely last more than 8-10 hours.



Chequamegon-Nicolet National Forest Repeater Sites

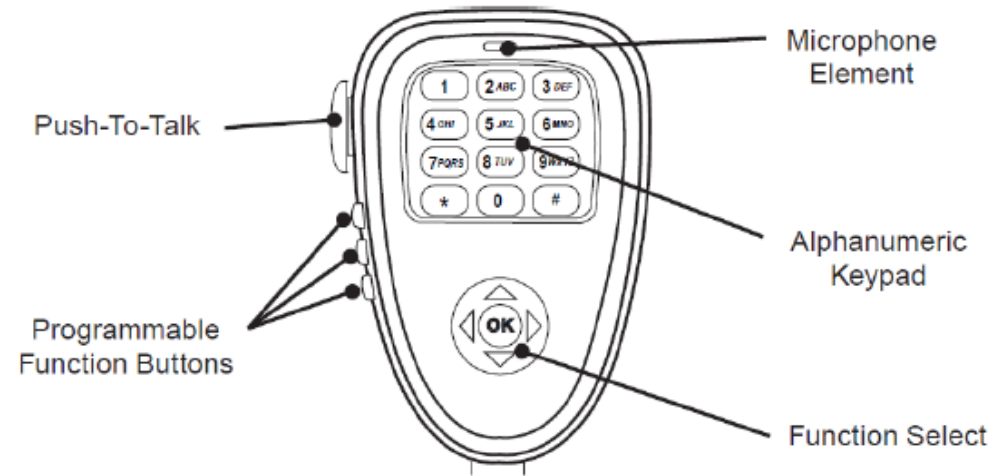


Radio Controls



KNG Mobile Smart Microphone (Not All Radios Use This Mic)

Microphone Controls

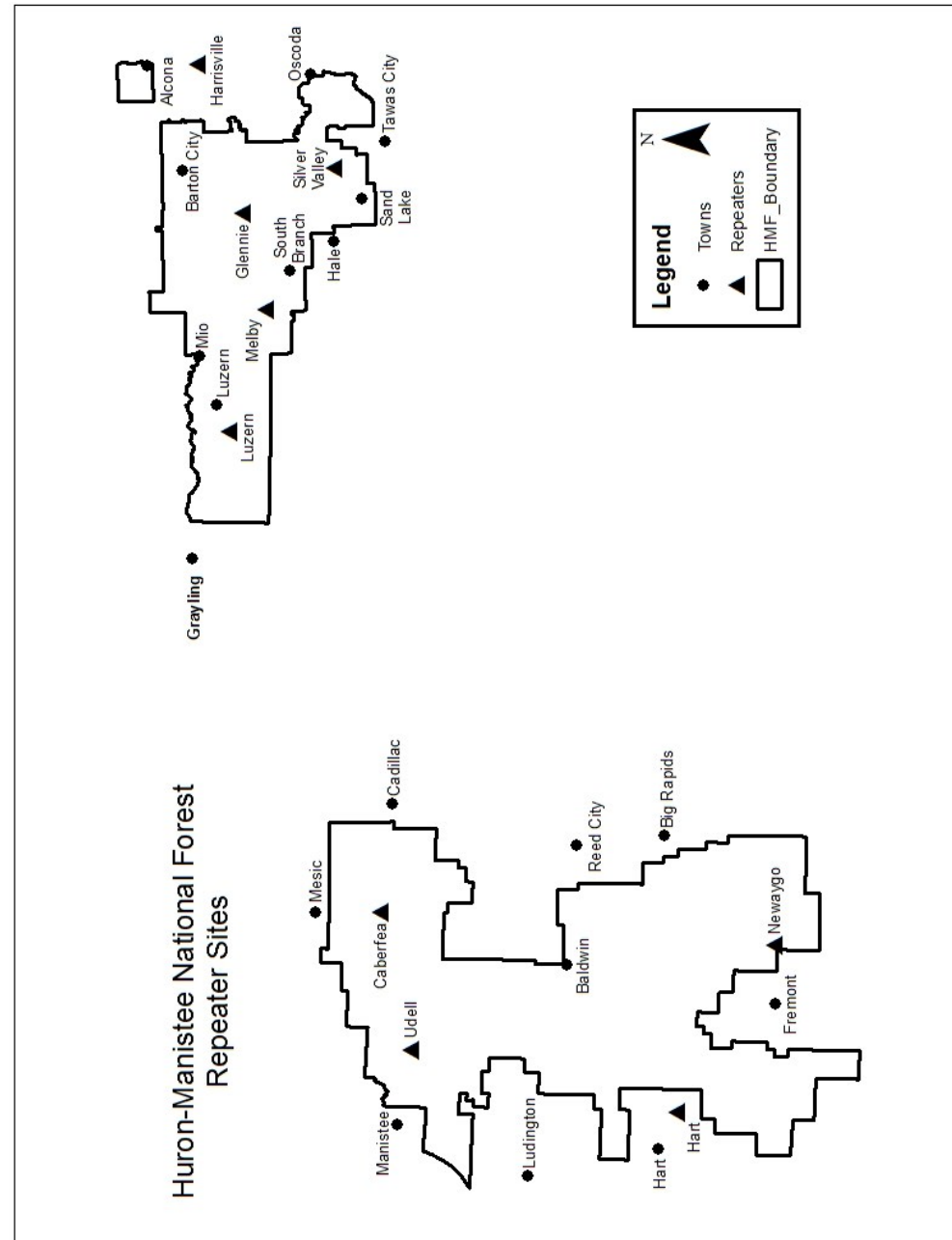


KNG Mobile Radio Controls

- ON/OFF / VOLUME Knob – Push for on/off and turn for volume.
- CH Knob – Channel Selector
- Orange Emergency Button – No assigned function
- OK Button – Used to select menu items
- Home Button – Exits the menu
- 4 Arrows Rocker – Used to navigate the menu items
- Menu Button (Touch Screen) – Enter the radio menu selections
- ZERO Button (Touch Screen) – Turns Monitor on/off
- PWR Button (Touch Screen) – Nuisance Channel Delete
- ZONE Button (Touch Screen) - Menu

Display Indicator Lights

Status Indicators	
	Receiver Signal Strength
RXD, RXA	Receive Digital, Receive Analog, Hold Time Active
TXD, TXA	Transmit Digital, Transmit Analog
H	High Transmit Power
L	Low Transmit Power
P1, P2	Priority 1 Channel, Priority 2 Channel
∅	Selected channel is encrypted. Flashing when Rx incoming signal is encrypted
✓	Scanned Channel
^c Z	Channel Scan On
^z Z	Zone Scan On
^p Z	Priority Scan On
^d Z	Dual Mode Scan On
	Repeater Talkaround Enabled
	Monitor Mode
	Open Audio
	Voice Mute Enabled



Scan Functions

The button labeled “SCAN” is for Scan control. If you feel the need to scan multiple channels this button need to be pressed and a light ^z needs to appear on top of the display. This function scans all channels in the scan list. Remember, you should always monitor DIRECT while working in the field. To see what channels are in your scan list:

1. Press the SCAN button.
2. Button will turn green to indicate scan is on.

Priority Channel

The button labeled PSCN is for priority control. This is the channel that will override all other channels in your scan list. “DIRECT” (channel 1) is programmed as the priority channel. If you need to change the Priority Channel;

1. Press the PSCN button.
2. Button will turn green to indicate priority over ride is on.

Channel Selection

To select channels turn the knob while looking at the display until the channel you want to use appears. This may be the name of the channel or just the channel number depending on the radio model and/or radio settings. When in the field, inter-crew communication should be kept on ALL GOV 1, ALL GOV 2, or PROJECT rather than REPEAT or DIRECT. There are also fire tactical channels (R9 TAC and TAC 1) that are to be used only during fire operations.

There are several County and State Fire channels on the radio. These channels are for fire monitoring and **Emergency** traffic only.

Group 11 HMF WEST FIRE							Selectable Tones		
Ch	Label	Rec Freq	Rec CG	Tx Freq	TxCG	BK CG	Channel 2 Only)		
1	ADMIN W DIR	169.925		169.925	110.9	110.9	1	110.9	Newaygo
2	REPEATER	169.925		164.1375	UTXG 2		2		
3	TAC 1	169.125		169.125		131.8	3	131.8	Caberfae
4	TAC 2 R9	168.5625		168.5625			4		
5	NIFC TAC 2	168.200		168.200		146.2	5	146.2	Udell
6	A/G 47 WEST	167.725		167.725			6		
7	A/G 70 EAST	167.950		167.950		167.9	7	167.9	Hart
8	A/G 03 MI	166.6125		166.6125			8		
9	FLIGHT FOLLOW	168.650		168.650		110.9	9		
10	V FIRE 23	154.295		154.295			10		
11	LK FIRE	154.430		158.955	118.8	118.8			
12	LK GROUND	154.265		154.265			FOR ADMIN (Channel 1 Only)		
13	MAN FIRE	154.445		153.770	131.8	131.8	1	110.9	Admin West
14	WEX FIRE	159.105		151.310	179.9	179.9	6	156.7	Admin East
15	NEW FIRE	154.385	107.2	153.770	107.2	107.2	*0* on keypad clears codes		
16	AIRGUARD	168.625		168.625	110.9	110.9			

Group 12 PUBLIC SAFETY MUTUAL AID							Selectable Tones		
Ch	Label	Rec Freq	Rec CG	Tx Freq	TxCG	BK CG			
1	VSAR16	155.1600	127.3	155.1600	127.3	127.3	None used on Group 10		
2	VFIRE22	154.2650		154.2650					
3	VFIRE24	154.2725		154.2725					
4	VFIRE21	154.2800		154.2800					
5	VFIRE25	154.2875		154.2875					
6	VFIRE23	154.2950		154.2950					
7	VFIRE26	154.3025		154.3025					
8	VMED28	155.3400		155.3400					
9	VMED29	155.3475		155.3475					
10	VLAW31	155.4750		155.4750					
11	VLAW32	155.4825		155.4825					
12									
13	HIA E DIR	164.8250	123.0	164.8250	123.0	123.0			
14	HIA W DIR	164.8250	110.9	164.8250	110.9	110.9			
15	OTF Direct	169.9750		169.9750					
16	R9 TAC	168.5625		168.5625					

Repeater Selection

When trying to contact another person or office you may need to use a repeater. To figure out what repeater to use, look at the repeater maps at the end of this guide. All repeater within a zone are broken out by channel with the exception of zones 6, 10, and 11.

The OTF fire zone (zone 6) and the 2 HMF Fire zones (zones 10 & 11) repeaters are based on the “REP” channel (channel 2 on the dial) and you select individual repeaters by using the keypad. This is known as tone selectable. If you are on the Ottawa NF, within the Watersmeet land base and you wanted to talk on the Sylvania Repeater;

1. Turn the knob until OTF REP reads on the display (CH 2)
2. Press the TXCG button.
3. Use the Menu Navigation button (4 way arrows) to move up and down to “8 – 103.5”
4. Press the Enter button (where the TXCG button was) or the OK button

You should now be able to talk on the Sylvania repeater.

When working in an unfamiliar area it is best to check with the local district employees to find out what repeater best serves that area. Repeater maps can be found at the end of this guide.

Group 9 MI/WI STATELINE							Selectable Tones		
Ch	Label	Rec Freq	Rec CG	Tx Freq	TxCG	BK CG			
1	MARENISCO	169.975		165.0125	131.8	131.8	None used on Group 7		
2	GIBBS	169.975		165.0125	146.2	146.2			
3	SYLVANIA	169.975		165.0125	103.5	103.5			
4	PHELPS	170.4625		164.1500	110.9	110.9			
5	LONGLK	170.4625		164.1500	123.0	123.0			
6	DNR WHITE	151.3100	NAC 827	159.3900	NAC E11				DIGITAL
7	DNR BLUE	151.3550	NAC 825	159.3300	NAC D28				DIGITAL
8	DNR YELLOW	151.2050	NAC 823	159.2550	NAC D31				DIGITAL
9	DNR Red	151.4300	136.5	151.4300	136.5	136.5			
10	FG BLUE	154.2950		154.2950	85.4	85.4			
11	R9 TAC	166.5625		166.5625					
12	VILAS	154.4150	118.8	153.7700	127.3	127.3			
13	FLORENCE	155.5800	173.8	158.7900	107.2	107.2			
14	DNR A/G	170.4750	156.7	170.4750	156.7	156.7			
15	CNNF A/G 19	168.1250		168.1250					
16	UPFM A/G 46	167.700		167.700					

Group 10 HMF EAST FIRE							Selectable Tones		
Ch	Label	Rec Freq	Rec CG	Tx Freq	TxCG	BK CG	(Use on Channel 2 Only)		
1	ADMIN E DIR	170.525		170.525	156.7		1		
2	REPEATER	170.525		166.250	UTXG 2	123.0	2	123.0	Glennie
3	TAC 1	169.125		169.125			3		
4	TAC 2 R9	166.5625		166.5625		136.5	4	136.5	Harrisville
5	NIFC TAC 2	168.200		168.200			5		
6	A/G 47 WEST	167.725		167.725		156.7	6	156.7	Luzerne
7	A/G 70 EAST	167.950		167.950			7		
8	A/G 03 MI	166.6125		166.6125		103.5	8	103.5	Silver
9	FLIGHT FOLLOW	168.650				110.9	9		
10	V FIRE 23	154.295		154.295		107.2	10	107.2	Malby
11	DNR TAC 1	151.325		151.325					
12	A/G 63 DNR LP	171.425		171.425			FOR ADMIN (Channel 1 Only)		
13	IOSCO CO	154.415		153.770	103.5	103.5	1	110.9	Admin West
14	TRITOWN	155.385		150.790	D125	D125	6	156.7	Admin East
15	ALCONA	154.145		150.775	107.2	107.2	*0* on keypad clears codes		
16	AIRGUARD	168.625		168.625	110.9	110.9			

Changing Zones

There are 12 zones (groups) programmed in your radio. The zones are as follows:

UPFM Zone List	
1	HIF COM
2	OTF COM
3	Weather
4	UPFM EZ
5	UPFM CZ
6	UPFM WZ
7	CNNF EAST
8	CNNF WEST
9	MI/WI Stateline
10	HMF EAST
11	HMF WEST
12	Public Safety

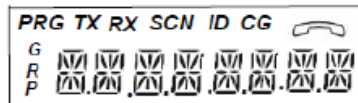
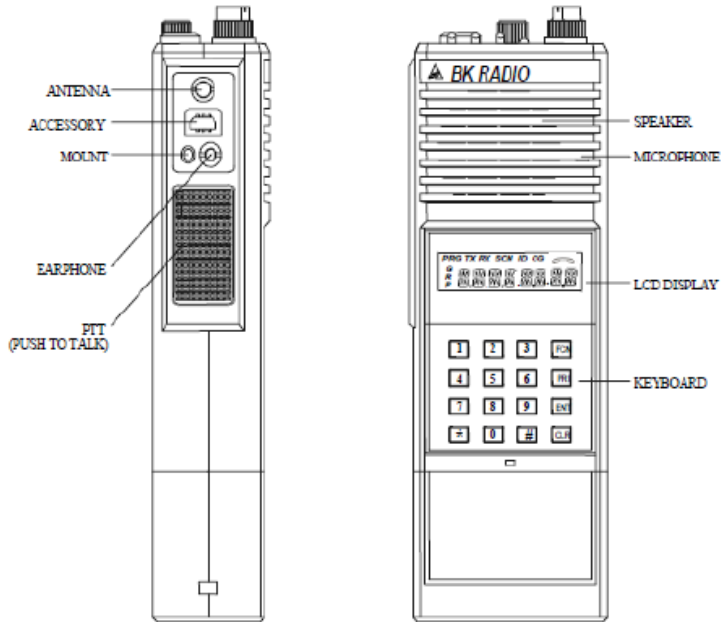
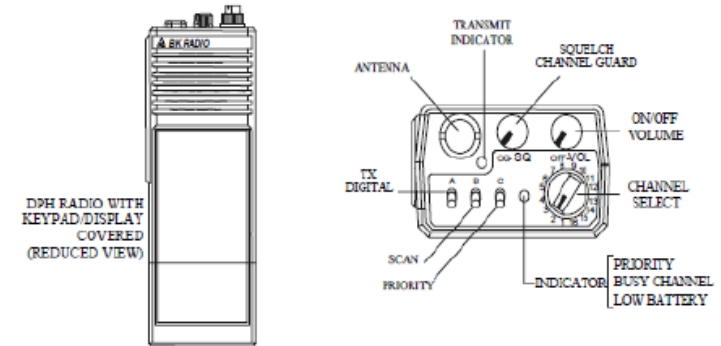
Group 7 CNNF EAST							Selectable Tones	
Ch	Label	Rec Freq	Rec CG	Tx Freq	TxCG	BK CG		
1	CNNF E DIR	170.4625		170.4625	110.9	110.9	None used on Group 7	
2	PHELPS	170.4625		164.1500	110.9	110.9		
3	LONGLK	170.4625		164.1500	123.0	123.0		
4	WABENO	170.4625		164.1500	131.8	131.8		
5	ARCHI	170.4625		164.1500	136.5	136.5		
6	MOBRPT	170.4625		164.1500	114.8	114.8		
7	COM 1	163.1000		163.1000				
8	COM 2	168.3500		168.3500				
9	TAC 1	168.2000		168.2000				
10	R9 TAC	166.5625		166.5625				
11	FG BLUE	154.2950		154.2950	85.4	85.4		
12	DNR Red	151.4300		151.4300	136.5	136.5		
13	DNR A/G	170.4750	156.7	170.4750	156.7	156.7		
14	VILAS	154.4150	118.8	153.7700	127.3	127.3		
15	A/G 19	168.1250		168.1250				
16	Air Guard	168.6250		168.6250	110.9	110.9		

Group 8 CNNF WEST							Selectable Tones	
Ch	Label	Rec Freq	Rec CG	Tx Freq	TxCG	BK CG		
1	CNNF W DIR	170.4625		170.4625	132.0	132.0	None used on Group 7	
2	INO	170.4625		164.1500	146.2	146.2		
3	CLAMLK	170.4625		164.1500	156.7	156.7		
4	WFORK	170.4625		164.1500	167.9	167.9		
5	DRAPER	170.4625		164.1500	103.5	103.5		
6	ELKCR	170.4625		164.1500	100.0	100.0		
7	PERK	170.4625		164.1500	107.2	107.2		
8	MOBRPT	170.4625		164.1500	114.8	114.8		
9	COM 1	163.1000		163.1000				
10	COM 2	168.3500		168.3500				
11	TAC 1	168.2000		168.2000				
12	R9 TAC	166.5625		166.5625				
13	FG BLUE	154.2950		154.2950	85.4	85.4		
14	DNR Red	151.4300		151.4300	136.5	136.5		
15	A/G 16	169.1750		169.1750				
16	Air Guard	168.6250		168.6250	110.9	110.9		

If you need to change what zone (group) you are operating in;

1. Press the ZONE button.
2. Use the Menu Navigation button (4 way arrows) to move up and down to the desired zone.
3. Press the Enter button (where the ZONE button was) or the OK button.

RADIO CONTROLS



ALPHANUMERIC DISPLAY

Group 5 UPFM CZ							Selectable Tones	
Ch	Label	Rec Freq	Rec CG	Tx Freq	TxCG	BK CG		
1	HIF W DIR	170.150	110.9	170.150	110.9	110.9	None used in Group 5	
2	TIE HILL	170.150	110.9	164.125	110.9	110.9		
3	ONOTA	170.150	110.9	164.125	131.8	131.8		
4	ST JACQU	170.150	110.9	164.125	136.5	136.5		
5	SENEY	170.150	110.9	164.125	146.2	146.2		
6	WETMORE	170.150	110.9	164.125	167.9	167.9		
7	HIF W PRJ	172.325	110.9	172.325	110.9	110.9		
8	R9 TAC	168.5625		168.5625				
9	VFIRE23	154.295		154.295				
10	DNR TAC1	151.325		151.325				
11	DNR TAC2	159.270		159.270				
12	DNR UP A/G 33	171.575		171.575				
13								
14	A/G 46	167.700		167.700				
15	FLIGHT FOLLOW	168.650	110.9					
16	AIRGUARD	168.625		168.625	110.9	110.9		

Group 6 UPFM WZ							Selectable Tones		
Ch	Label	Rec Freq	Rec CG	Tx Freq	TxCG	BK CG	(Use on Channel 2 Only)		
1	OTF DIR	169.975		169.975	110.9	110.9	1		
2	OTF REP	169.975		165.0125	UTXG	123.0	2	123.0	TRAPP HILL
3	ALLGOV1	163.7125		163.7125		131.8	3	131.8	MARENISCO
4	ALLGOV2	168.6125		168.6125		136.5	4	136.5	ROCKLAND
5	R9 TAC	168.5625		168.5625		146.2	5	146.2	GIBBS
6	TAC 1	169.125		169.125		156.7	6	156.7	KENTON
7	TAC 2	171.425		171.425			7	167.9	BESSEMER
8	VFIRE23	154.295		154.295		103.5	8	103.5	SYLVANIA
9							9		
10							10		
11	DNR TAC1	151.325		151.325			11		
12	DNR TAC2	159.270		159.270		127.3	12	127.3	MCKKBRH
13	DNR UP A/G 33	171.575		171.575					
14	A/G 46	167.700		167.700					
15	FLIGHT FOLLOW	168.650	110.9						
16	AIRGUARD	168.625		168.625	110.9	110.9			

DPH Handheld Radio Controls

Group 3 WX							Selectable Tones		
Ch	Label	Rec Freq	Rec CG	Tx Freq	TxCG	BK CG			
1	WX 1	162.400					None used on Group 3		
2	WX 2	162.425							
3	WX 3	162.450							
4	WX 4	162.475							
5	WX 5	162.500							
6	WX 6	162.525							
7	WX 7	162.550							
8	HIF E DIR	170.150	123.0	170.150	123.0	123.0			
9	HIF W DIR	170.150	110.9	170.150	110.9	110.9			
9	OTF DIR	169.9750		169.9750	110.9	110.9			
10	R9 TAC	166.5625		166.5625					
11									
12									
13									
15									
16									

Group 4 UPFM EZ							Selectable Tones		
Ch	Label	Rec Freq	Rec CG	Tx Freq	TxCG	BK CG			
1	HIF E DIR	170.150	123.0	170.150	123.0	123.0	None used on Group 4		
2	MAPLE HILL	170.150	123.0	164.125	123.0	123.0			
3	MCNEARNEY	170.150	123.0	164.125	156.7	156.7			
4	SENEY	170.150	110.9	164.125	146.2	146.2			
5	HIF E PRJ	172.325	123.0	172.325	123.0	123.0			
6	R9 TAC	166.5625		166.5625					
7	VFIRE23	154.295		154.295					
8	49 STRAITS	155.490	203.5	158.850	203.5	203.5			
9	49 CLARK	154.040		158.940	127.3	127.3			
10	17 MAIN M	155.31	127.3	154.950	127.3	127.3			
11	17 OES	155.775		155.775	127.3	127.3			
12	DNR TAC1	151.325		151.325					
13	DNR TAC2	159.270		159.270					
14	DNR UP A/G 33	171.575		171.575					
15	A/G 46	167.700		167.700					
16	AIRGUARD	168.625		168.625	110.9	110.9			

Toggle switches – The three toggle switches on the top of the radio are for Hi/Lo Power, Scan, and Priority.

“CG-SQ” knob – To set the squelch turn the knob counter-clockwise until it makes noise. Then turn it clockwise and stop right after the noise stops.

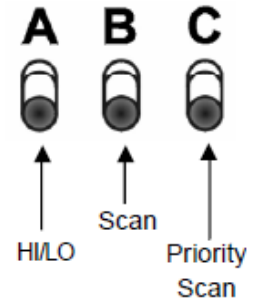
ON/OFF / VOLUME – Self-explanatory.

Top Switch Functions -

A = low power (back), high power (forward)

B = Scan on (back), scan off (forward)

C = Priority on (back), priority off (forward)



High and Low Power

The toggle labeled Hi/Low controls the transmit power. During normal use this toggle should be on Low power which is towards the back of the radio. If you are having a hard time hitting the repeater you can switch to High power and try again. High power will drain your batteries very fast.

Scan Functions

The toggle labeled SCAN is for Scan control. If you feel the need to scan multiple channels this switch should be in the up position (toward the back of the radio). This function scans all channels in the scan list. Remember, you must always monitor DIRECT while working in the field. If you are working on ALL GOV 1 or 2 you must scan channel 1 “DIRECT”. To see what channels are in your scan list put both the SCAN and PRI toggles in the down position (towards the front of the radio). If the channel is being scanned there will be a small “SCN” above the channel name or number. If the channel you want to scan doesn’t appear press ENT on the keypad and it should now appear. If you don’t want a channel in the scan list press CLR on the keypad and it will be taken out of the scan list. Do this on every channel and your scan list will be set.

Editing your Priority Channel

The toggle labeled PRI is for your priority override channel. This is the channel that will override all other channels in your scan list. "DIRECT" (channel 1) is programmed as the priority channel. If you need to change the Priority Channel go to the channel you want and press the "PRI" button on the keypad. To activate Priority override, flip the toggle up (towards the back of the radio).

Channel Selection

To select channels turn the knob while looking at the display until the channel you want to use appears. This may be the name of the channel or just the channel number depending on the radio model and/or radio settings.

When in the field, inter-crew communication should be kept on ALL GOV 1, ALL GOV 2, or PROJECT rather than REPEAT or DIRECT. There are also fire tactical channels (R9 TAC and TAC 1) that are to be used only during fire operations.

There are several County and State Fire channels on the radio. These channels are for fire monitoring and Emergency traffic only.

Using Repeaters

When trying to contact another person or office you may need to use a repeater. To figure out what repeater to use, look at the repeater maps at the end of this guide. All repeater within a group are broken out by channel with the exception of groups 6, 10, and 11. The OTF fire group (group 6) and the 2 HMF Fire groups (groups 10 & 11) repeaters are based on the "REP" channel (channel 2 on the dial) and you select individual repeaters by using the keypad. This is known as tone selectable. If you are on the Watersmeet land base and you wanted to talk on the Sylvania Repeater;

1. Turn the knob until OTF REP reads on the display (CH 2)
 2. Move the SCAN and PRI toggles on the top of the radio to the front of the radio.
 3. Press the button corresponding to TCG, #8 on the keypad.
- You should now be able to talk on the Sylvania repeater.

When working in an unfamiliar area it is best to check with the local district employees to find out what repeater best serves that area. Repeater maps can be found at the end of this guide.

Upper Peninsula Fire Management

Group 1 HIF COMMON							07/22/2019	
Ch	Label	Rec Freq	Rec CG	Tx Freq	TxCG	BK CG	Selectable Tones	
1	HIF W DIR	170.150	110.9	170.150	110.9	110.9	None used on Group 1	
2	TIE HILL	170.150	110.9	164.125	110.9	110.9		
3	ONOTA	170.150	110.9	164.125	131.8	131.8		
4	ST JACQU	170.150	110.9	164.125	136.5	136.5		
5	SENEY	170.150	110.9	164.125	146.2	146.2		
6	WETMORE	170.150	110.9	164.125	167.9	167.9		
7	HIF W PRJ	172.325	110.9	172.325	110.9	110.9		
8	HIF E DIR	170.150	123.0	170.150	123.0	123.0		
9	MAPLE HILL	170.150	123.0	164.125	123.0	123.0		
10	MCNEARNEY	170.150	123.0	164.125	156.7	156.7		
11	HIF E PRJ	172.325	123.0	172.325	123.0	123.0		
12	R9 TAC	166.5625		166.5625				
13	V FIRE 23	154.295		154.295				
14	SENEY DIR	164.625	136.5	164.625	136.5	136.5		
15	A/G 46	167.700		167.700				
16	AIRGUARD	168.625		168.625	110.9	110.9		

Group 2 OTF COMMON								
Ch	Label	Rec Freq	Rec CG	Tx Freq	TxCG	BK CG	Selectable Tones	
1	OTF DIR	169.975		169.975	110.9	110.9	None used on Group 2	
2	TRAPP HILL	169.975		165.0125	123.0	123.0		
3	MARENISCO	169.975		165.0125	131.8	131.8		
4	ROCKLAND	169.975		165.0125	136.5	136.5		
5	GIBBS	169.975		165.0125	146.2	146.2		
6	MCMK/BRH	169.975		165.0125	127.3	127.3		
7	KENTON	169.975		165.0125	156.7	156.7		
8	SYLVANIA	169.975		165.0125	103.5	103.5		
9	BESSEMER	169.975		165.0125	167.9	167.9		
10	ALLGOV1	163.7125		163.7125				
11	ALLGOV2	168.6125		168.6125				
12	R9 TAC	166.5625		166.5625				
13	V FIRE 23	154.295		154.295				
14	DNR TAC1	151.325		151.325				
15	A/G 46	167.700		167.700				
16	AIRGUARD	168.625		168.625	110.9	110.9		

1. Turn the knob until OTF REP reads on the display (CH 2)
 2. Ensure that SCN and PRI are off (no lights appear above the buttons on the display).
 3. Press the button corresponding to TCG, 8 on the keypad.
- You should now be able to talk on the Sylvania repeater.

When working in an unfamiliar area it is best to check with the local district employees to find out what repeater best serves that area. Repeater maps can be found at the end of this guide.

Changing Groups

If you need to change what group you are operating in, press the GRP button and key in the two digit group number, i.e. "2" for the OTF COMMON group. Wait for the display to switch back to normal. The CH knob may also be used to change groups after the GRP button has been pressed.

UPFM Zone List	
1	HIF COM
2	OTF COM
3	Weather
4	UPFM EZ
5	UPFM CZ
6	UPFM WZ
7	CNNF EAST
8	CNNF WEST
9	MI/WI Stateline
10	HMF EAST
11	HMF WEST
12	Public Safety

Changing Groups

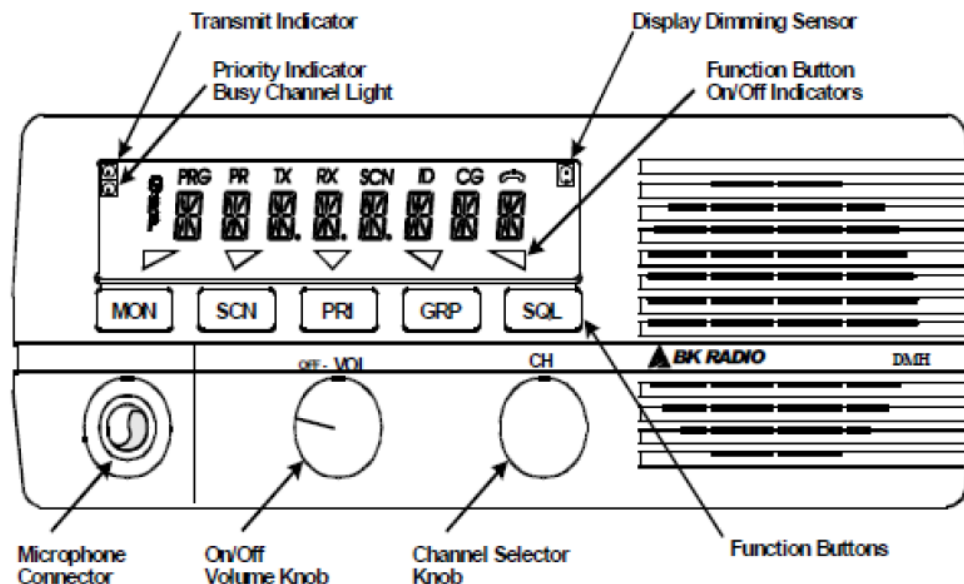
If you need to change what group you are operating in switch all three toggles to the down position (towards the front of the radio). Press the # button and key in the two digit group number, i.e. "02" for the OTF COMMON group. Wait for the display to switch back to normal and move all toggles back to the up position (towards the back of the radio).

UPFM Zone List	
1	HIF COM
2	OTF COM
3	Weather
4	UPFM EZ
5	UPFM CZ
6	UPFM WZ
7	CNNF EAST
8	CNNF WEST
9	MI/WI Stateline
10	HMF EAST
11	HMF WEST
12	Public Safety

Batteries

There are three different types of batteries that are compatible with these radios. Most common are the NiCad rechargeable batteries. These batteries are nice but if they are not properly maintained they will lose power at a faster rate as time goes on. Recently a Lithium Ion (Li-ion) rechargeable battery has been introduced to the market. They are supposed to last longer between recharges and be less susceptible to creating a memory. Third is the 'AA' clam shell, this is a battery pack that uses 9 'AA' batteries. **Do not use a 10 'AA' battery clam shell if you find one.** Always carry a minimum of one extra battery pack for your radio.

RADIO CONTROLS



DPH Mobile Radio Controls

- ON/OFF / VOLUME Knob – Push for on/off and turn for volume.
- CH Knob – Channel Selector
- MON Button – Turns Monitor on/off
- SCN Button – Scan on/off
- PRI Button – Priority on/off
- GRP Button – Group select
- SQL Button – Squelch adjust

Scan Functions

The toggle labeled SCN is for Scan control. If you feel the need to scan multiple channels, press the SCN button on the radio and ensure the light above the button on the display is illuminated. This function scans all channels in the scan list.

Remember, you must always monitor DIRECT while working in the field. If you are working on ALL GOV 1 or 2 you must scan channel 1 "DIRECT". To see what channels are in your scan list, turn off both the SCN and PRI (no light above the buttons). If the channel is being scanned there will be a small SCN above the channel name or number. If the channel you want to scan doesn't appear press and hold SCN button until SCN appears at the top of the display. If you don't want a channel in the scan list press and hold SCN until SCN disappears from the display. Do this on every channel and your scan list will be set.

Editing your Priority Channel

The toggle labeled PRI is for your priority override channel. This is the channel that will override all other channels in your scan list. "DIRECT" (channel 1) is programmed as the priority channel. If you need to change the Priority Channel, turn off both the SCN and PRI (no light above the buttons). Then go to the channel you want and press and hold the PRI button until PRI appears on the display. To activate Priority override, press the PRI button on the keypad and ensure the light above the button on the display is illuminated.

Channel Selection

To select channels turn the knob while looking at the display until the channel you want to use appears on the display. This may be the name of the channel or just the channel number depending on the radio model and/or radio settings.

When in the field, inter-crew communication should be kept on ALL GOV 1, ALL GOV 2, or PROJECT rather than REPEAT or DIRECT. There are also fire tactical channels (R9 TAC and TAC 1) that are to be used only during fire operations.

There are several County and State Fire channels on the radio. These channels are for fire monitoring and Emergency traffic only.

Using Repeaters

When trying to contact another person or office you may need to use a repeater. To figure out what repeater to use, look at the repeater maps at the end of this guide. All repeater within a group are broken out by channel with the exception of groups 6, 10, and 11. The OTF fire group (group 6) and the 2 HMF Fire groups (groups 10 & 11) repeaters are based on the REP channel (channel 2 on the dial) and you select individual repeaters by using the keypad. This is known as tone selectable. If you are on the Watersmeet land base and you wanted to talk on the Sylvania Repeater;