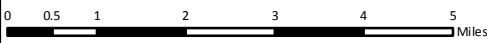


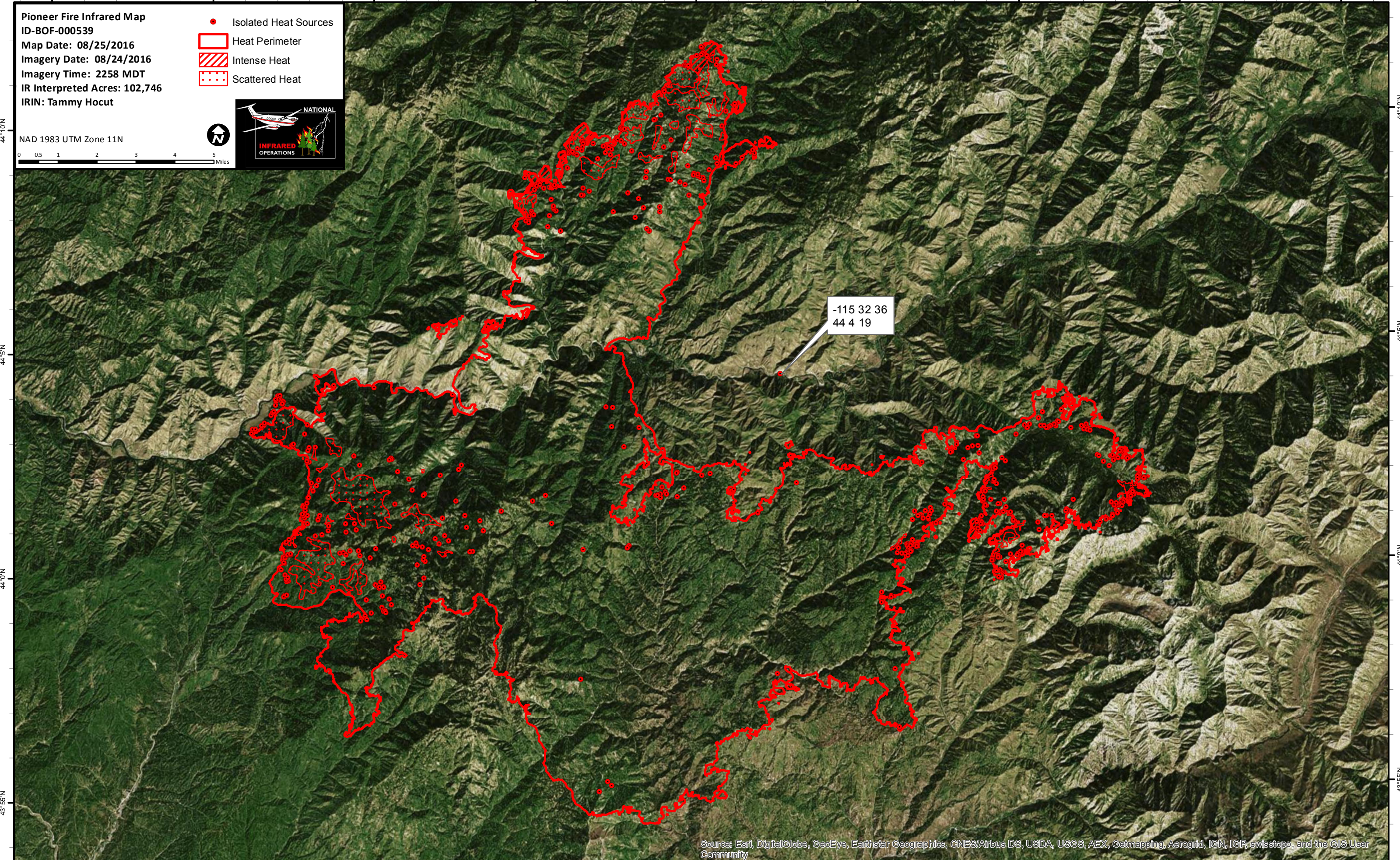


Pioneer Fire Infrared Map
ID-BOF-000539
Map Date: 08/25/2016
Imagery Date: 08/24/2016
Imagery Time: 2258 MDT
IR Interpreted Acres: 102,746
IRIN: Tammy Hocut

- Isolated Heat Sources
- Heat Perimeter
- Intense Heat
- Scattered Heat

NAD 1983 UTM Zone 11N

Source: Esri, DigitalGlobe, GeoEye, Earthstar Geographics, CNES/Airbus DS, USDA, USGS, AEX, Getmapping, Aerogrid, IGN, IGP, swisstopo, and the GIS User Community