

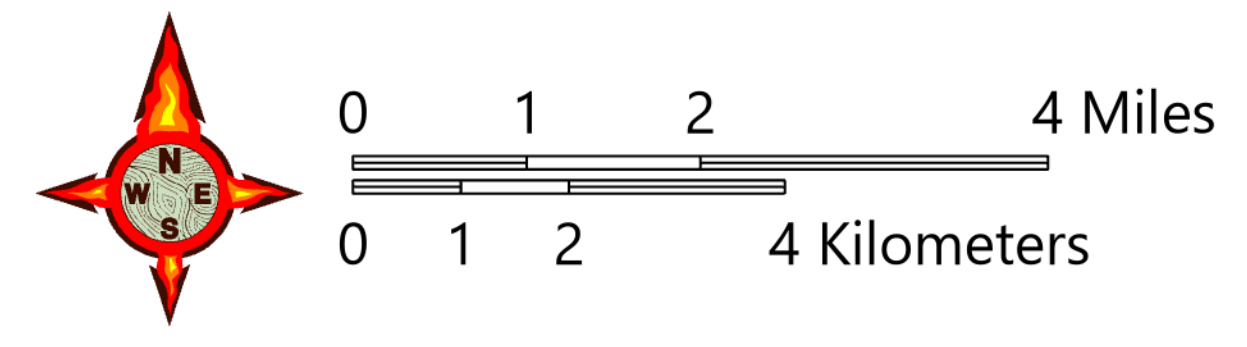
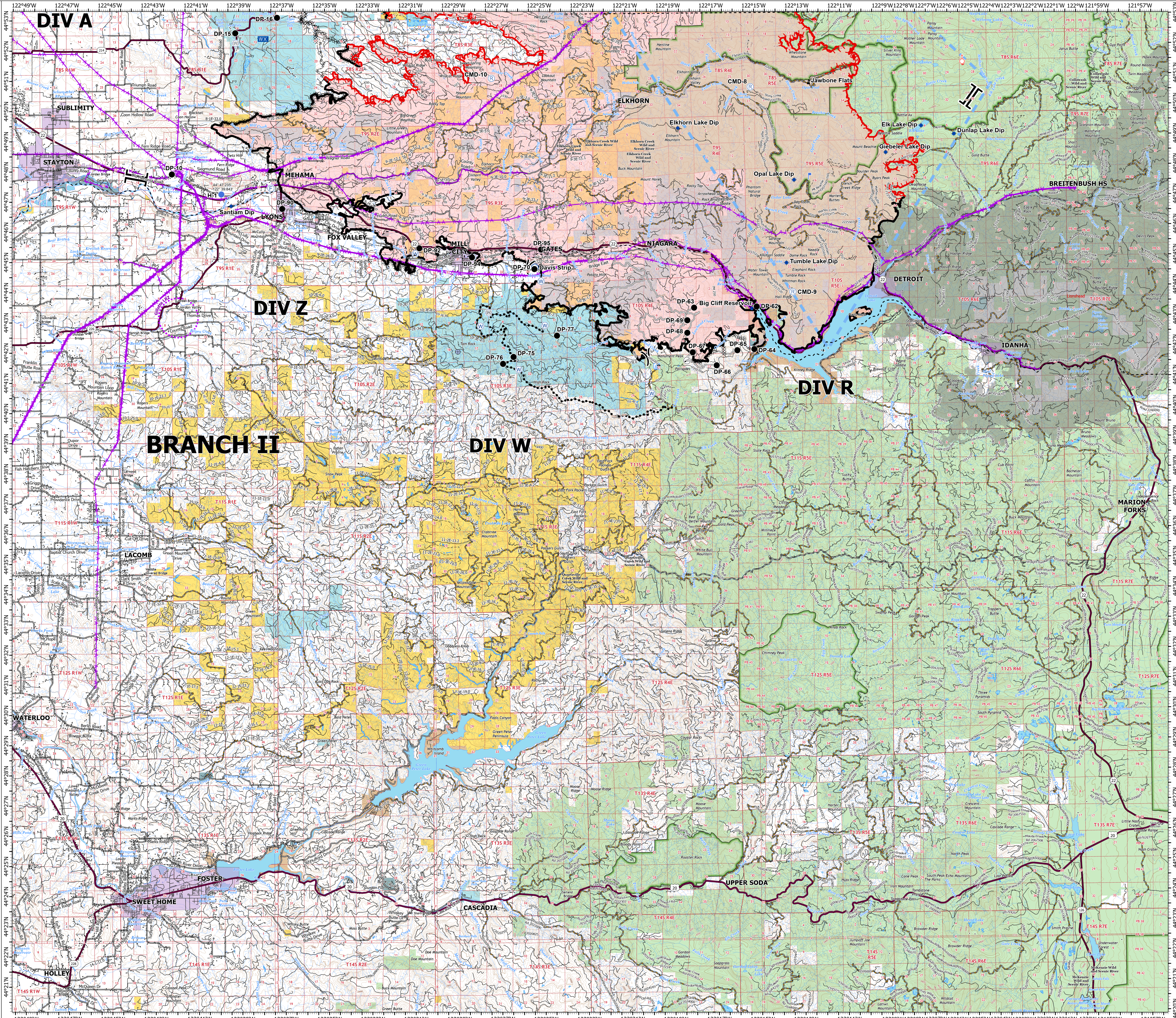
OPS Branch II

Beachie Creek
ORWIF-200299

9/27/20

192,838 acres | 78,039 hectares
at 09/23/20 @ 1810

- Bridge
- Dip Site
- Drop Point
- Fire Station
- Helibase
- Helispot
- Internet Access
- Lookout
- Mobile Weather Unit
- Repeater
- Resource Location
- Spot Fire
- Stream Crossing
- Water Source
- Water Development or Draft Site
- Value at Risk
- Division Break
- Branch Break
- Contained Line
- Completed Dozer Line
- Completed Hand Line
- Road as Completed Line
- Access or Improved Road
- Proposed Dozer Line
- Planned Fire Line
- Planned Secondary Line
- Aerial Hazard
- Temporary Flight Restriction
- UAS Launch and Recovery Zone
- Uncontrolled Fire Edge
- Wildfire Daily Fire Perimeter
- Other Daily Wildfire Perimeter
- County Boundary
- Structures
- City Limits
- Town Rng
- Section Protected
- Section
- FS Wilderness
- Bureau of Land Management
- U.S. Forest Service
- Other Federal
- State
- Local Government
- Private/Unknown
- US Highway
- State Highway
- County Road
- Major road
- Intermediate road
- Minor road
- Decommissioned or Closed



SOUTHWEST AREA
INCIDENT MANAGEMENT TEAM 2

1:70,000 - SW IMT 2 - 9/26/2020 1951
Acres from GIS
North American 1983 Datum, LatLong Grid