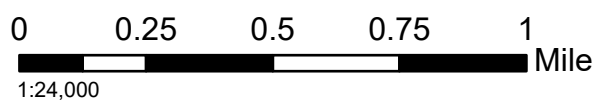


Incident Action Plan

Page 1 of 8
 Rum Creek
 ORMED000243
 09/19/2022

21,347 acres on 9/16/2022 @ 2004 PDT

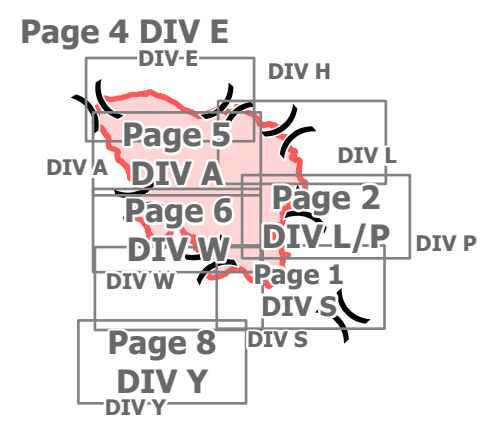
40' CONTOUR INTERVAL

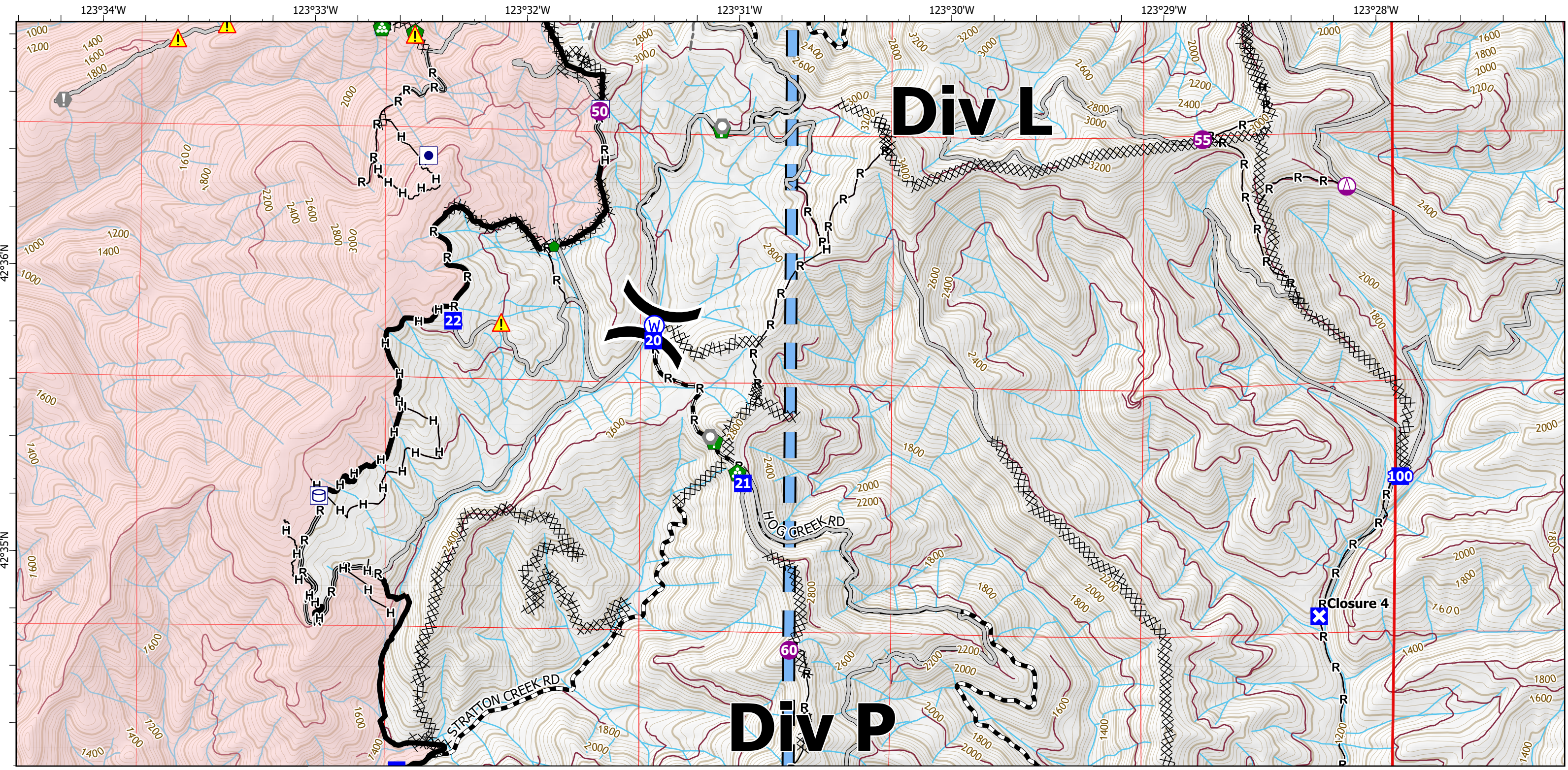


- | | | | |
|----------------|---------------------|----------------------|------------------------------|
| Helispot | Value at Risk | Other Property | Completed Road as Line |
| Sling Site | Road Repair | Pump | Access or Improved Road |
| Division Break | Repair Point | Water Tank | Road Repair |
| Drop Point | Mobile Weather Unit | Completed Dozer Line | Temporary Flight Restriction |
| Closure | Water Source | Completed Fuel Break | River |
| Lookout | Fire Perimeter | Completed Hand Line | Major Operational Roads |



9/18/2022 2038
 IR Flight
 North American 1983 Datum. LatLong Grid



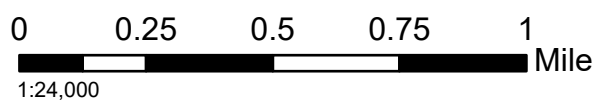


Incident Action Plan

Page 2 of 8
 Rum Creek
 ORMED00243
 09/19/2022

21,347 acres on 9/16/2022 @ 2004 PDT

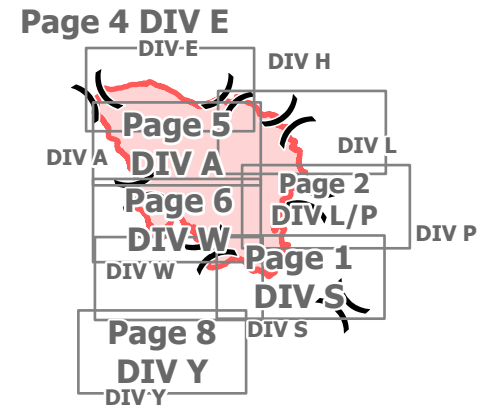
40' CONTOUR INTERVAL

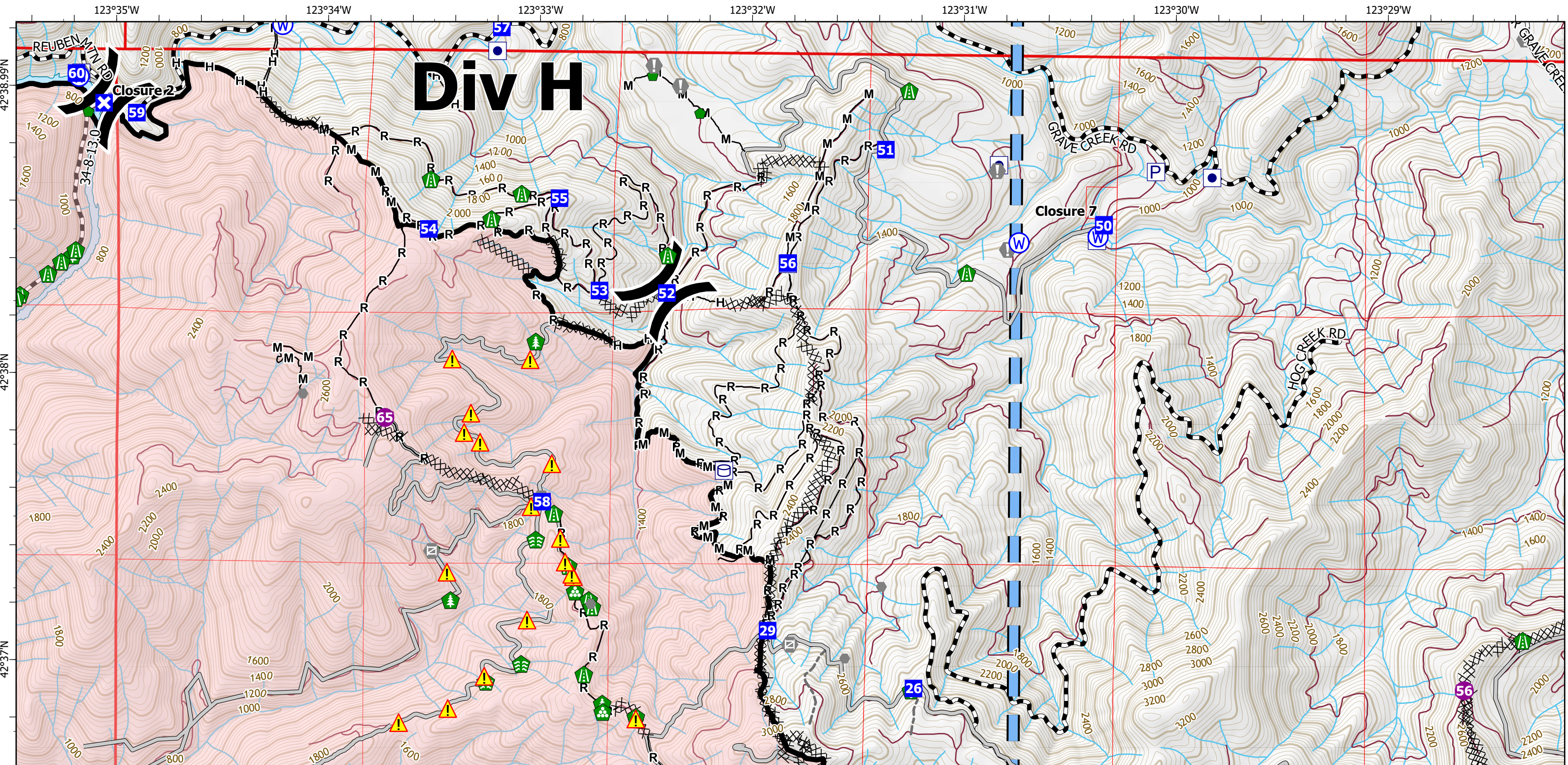


- | | | | |
|------------------|-----------------------|------------------------|--------------------------------|
| ● Helispot | ⊙ Landmark | ⚠ Hazard | R— Completed Road as Line |
| ⚠ Sling Site | 🌿 Stream Crossing | Ⓜ Water Source | — Access or Improved Road |
|) Division Break | 🛠 Road Repair | 🔴 Fire Perimeter | - - - Other |
| ■ Drop Point | 📍 Resource Location | ● Other Property | ▬ Temporary Flight Restriction |
| ⊠ Closure | 🔧 Repair Point | 🛢 Water Tank | ▬ Major Operational Roads |
| ⚠ Value at Risk | 🏠 Landing or Log Deck | ⌘ Completed Dozer Line | |
| ⚠ Other | 🌲 Hazard Tree | H— Completed Hand Line | |



9/18/2022 2038
 IR Flight
 North American 1983 Datum. LatLong Grid



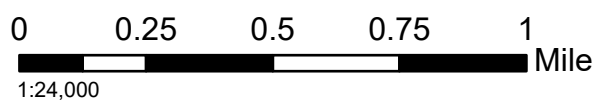


Incident Action Plan

Page 3 of 8
 Rum Creek
 ORMED000243
 09/19/2022

21,347 acres on 9/16/2022 @ 2004 PDT

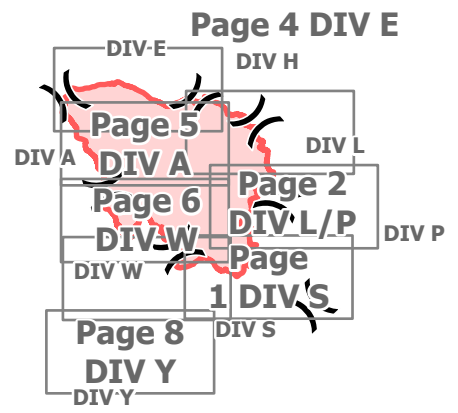
40' CONTOUR INTERVAL

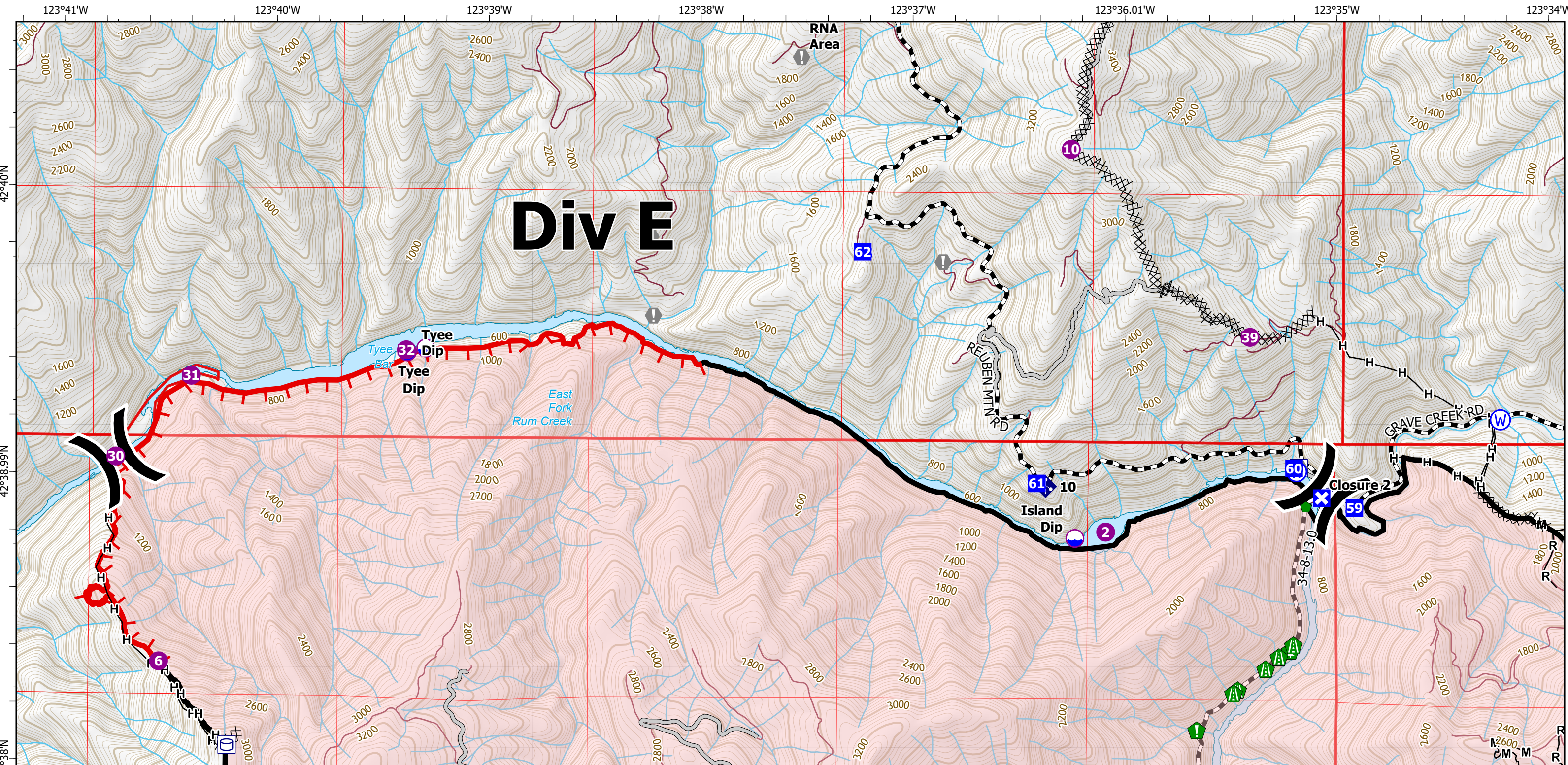


- | | | | |
|----------------|---------------------|-----------------------------------|------------------------------|
| Dip Site | Gate | Water Source | Completed Road as Line |
| Helispot | Stream Crossing | Fire Perimeter | Access or Improved Road |
| Division Break | Road Repair | Other Property | Other |
| Drop Point | Resource Location | Pump | Escape Route |
| Closure | Repair Point | Water Tank | Temporary Flight Restriction |
| Value at Risk | Landing or Log Deck | Completed Dozer Line | River |
| Other | Hazard Tree | Completed Hand Line | Major Operational Roads |
| Landmark | Hazard | Completed Mixed Construction Line | |



9/18/2022 2038
 IR Flight
 North American 1983 Datum. LatLong Grid



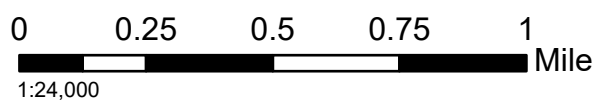


Incident Action Plan

Page 4 of 8
 Rum Creek
 ORMED000243
 09/19/2022

21,347 acres on 9/16/2022 @ 2004 PDT

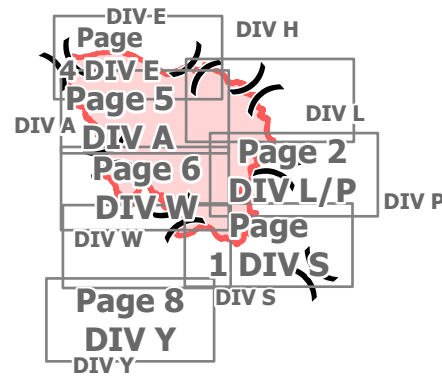
40' CONTOUR INTERVAL

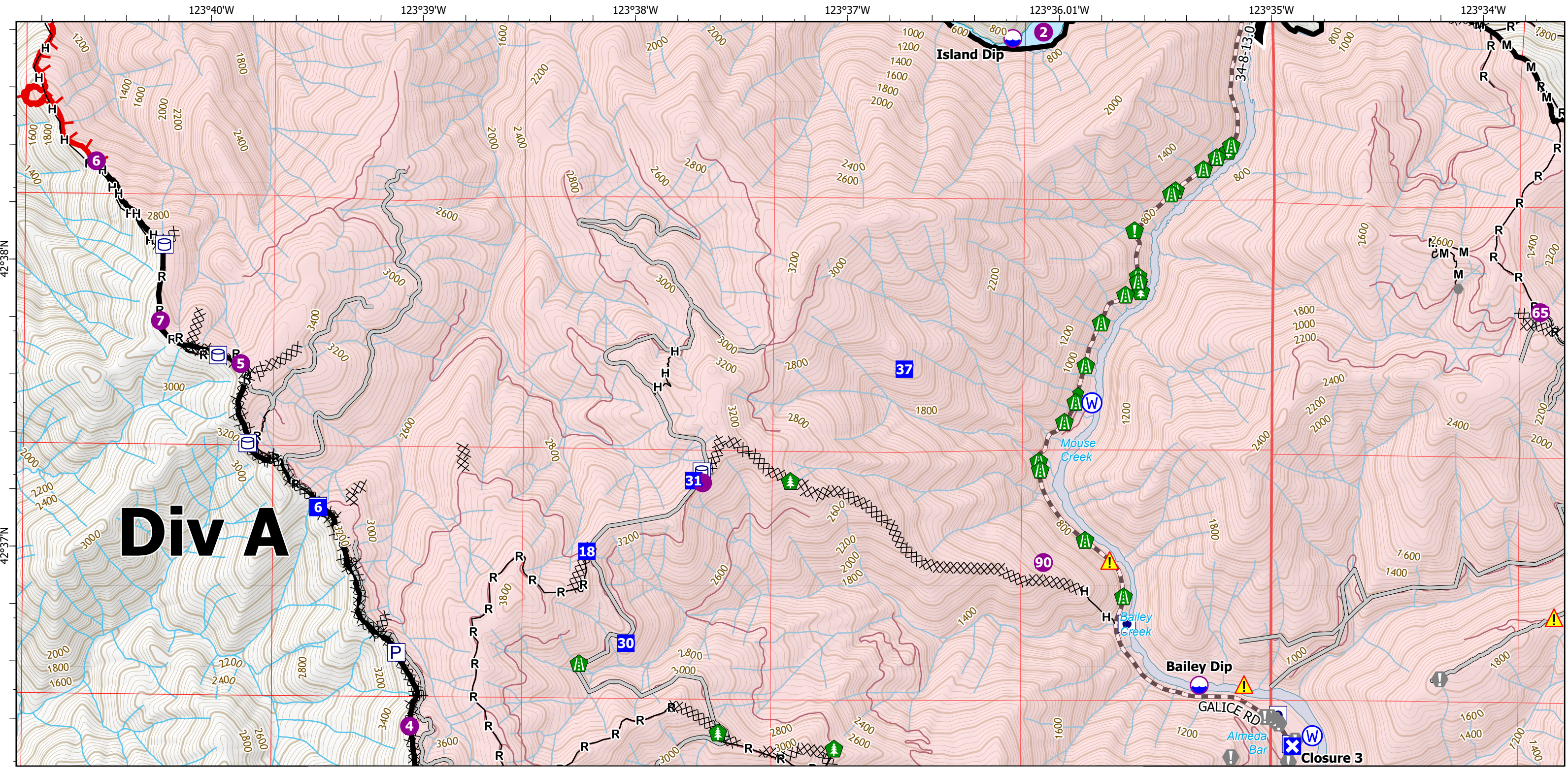


- | | | |
|----------------|---------------------|-----------------------------------|
| Dip Site | Resource Location | Completed Dozer Line |
| Helispot | Repair Point | Completed Hand Line |
| Division Break | Hazard Tree | Completed Mixed Construction Line |
| Drop Point | Mobile Weather Unit | Completed Road as Line |
| Closure | Water Source | Access or Improved Road |
| Value at Risk | Fire Perimeter | River |
| Other | Other Property | Major Operational Roads |
| Road Repair | Water Tank | Dip Site |



9/18/2022 2038
 IR Flight
 North American 1983 Datum. LatLong Grid





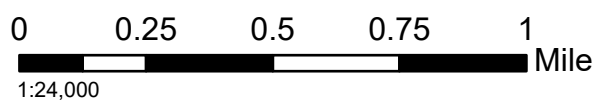
Div A

Incident Action Plan

Page 5 of 8
 Rum Creek
 ORMED000243
 09/19/2022

21,347 acres on 9/16/2022 @ 2004 PDT

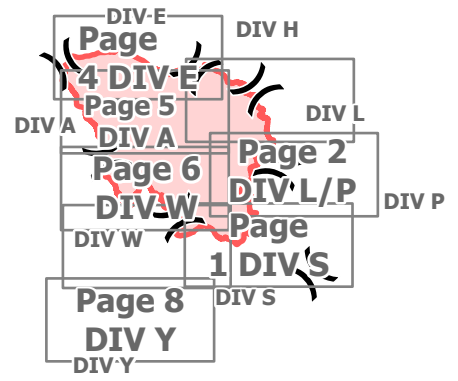
40' CONTOUR INTERVAL

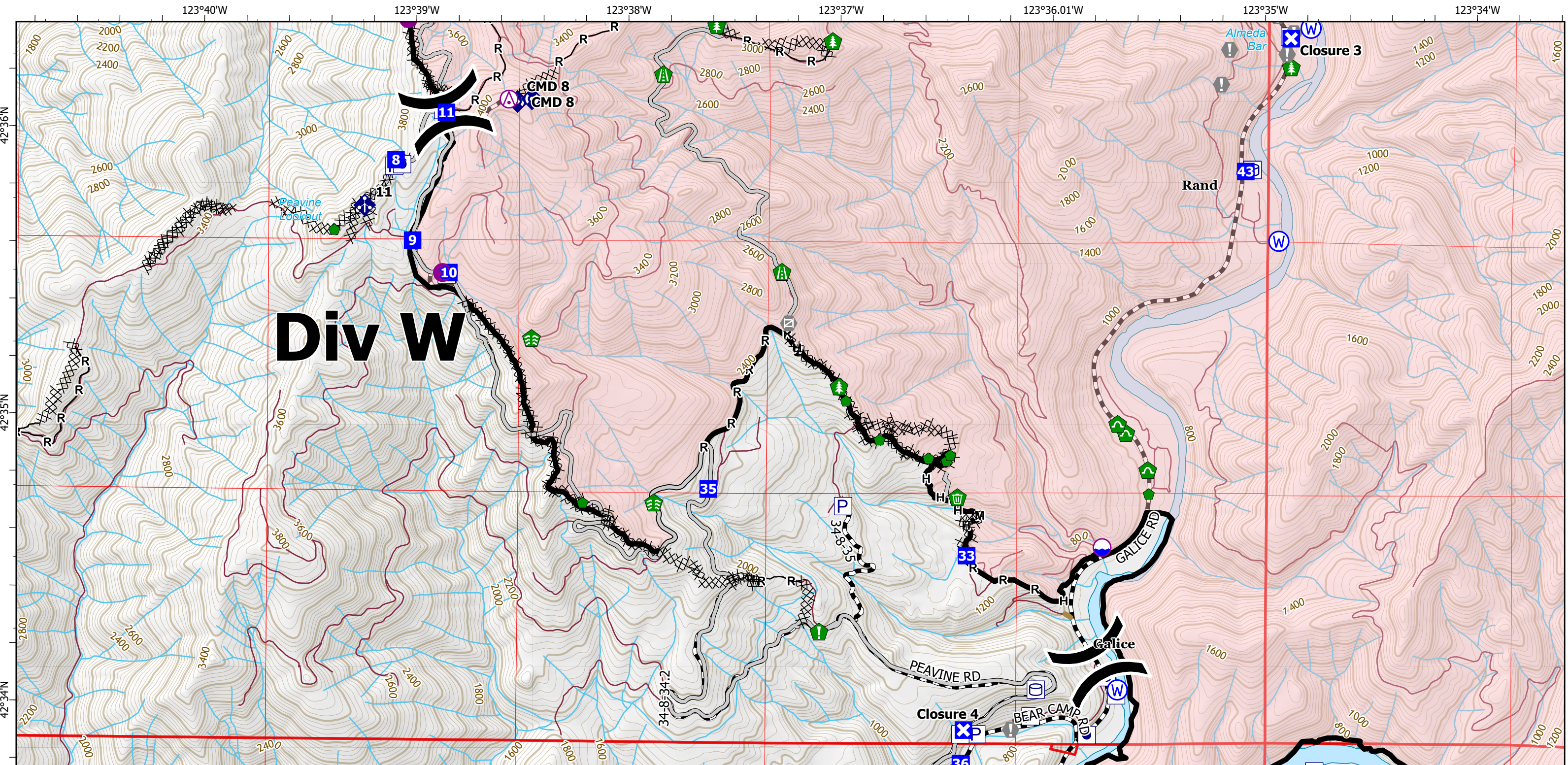


- | | | | |
|----------------|---------------------|----------------------|-----------------------------------|
| Aerial Hazard | Gate | Hazard | Completed Mixed Construction Line |
| Dip Site | Road Repair | Water Source | Completed Road as Line |
| Helispot | Resource Location | Fire Perimeter | Access or Improved Road |
| Division Break | Repair Point | Other Property | River |
| Drop Point | Landing or Log Deck | Pump | Major Operational Roads |
| Closure | Hazard Tree | Water Tank | |
| Value at Risk | Mobile Weather Unit | Completed Dozer Line | |
| Other | Repeater | Completed Hand Line | |



9/18/2022 2038
 IR Flight
 North American 1983 Datum. LatLong Grid



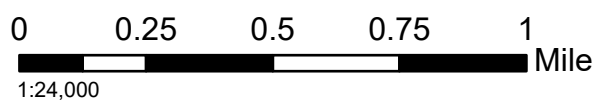


Incident Action Plan

Page 6 of 8
 Rum Creek
 ORMED000243
 09/19/2022

21,347 acres on 9/16/2022 @ 2004 PDT

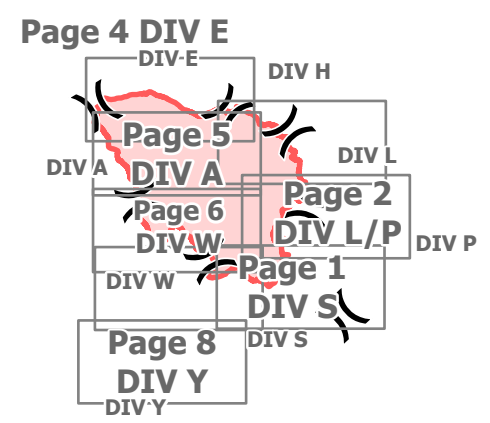
40' CONTOUR INTERVAL

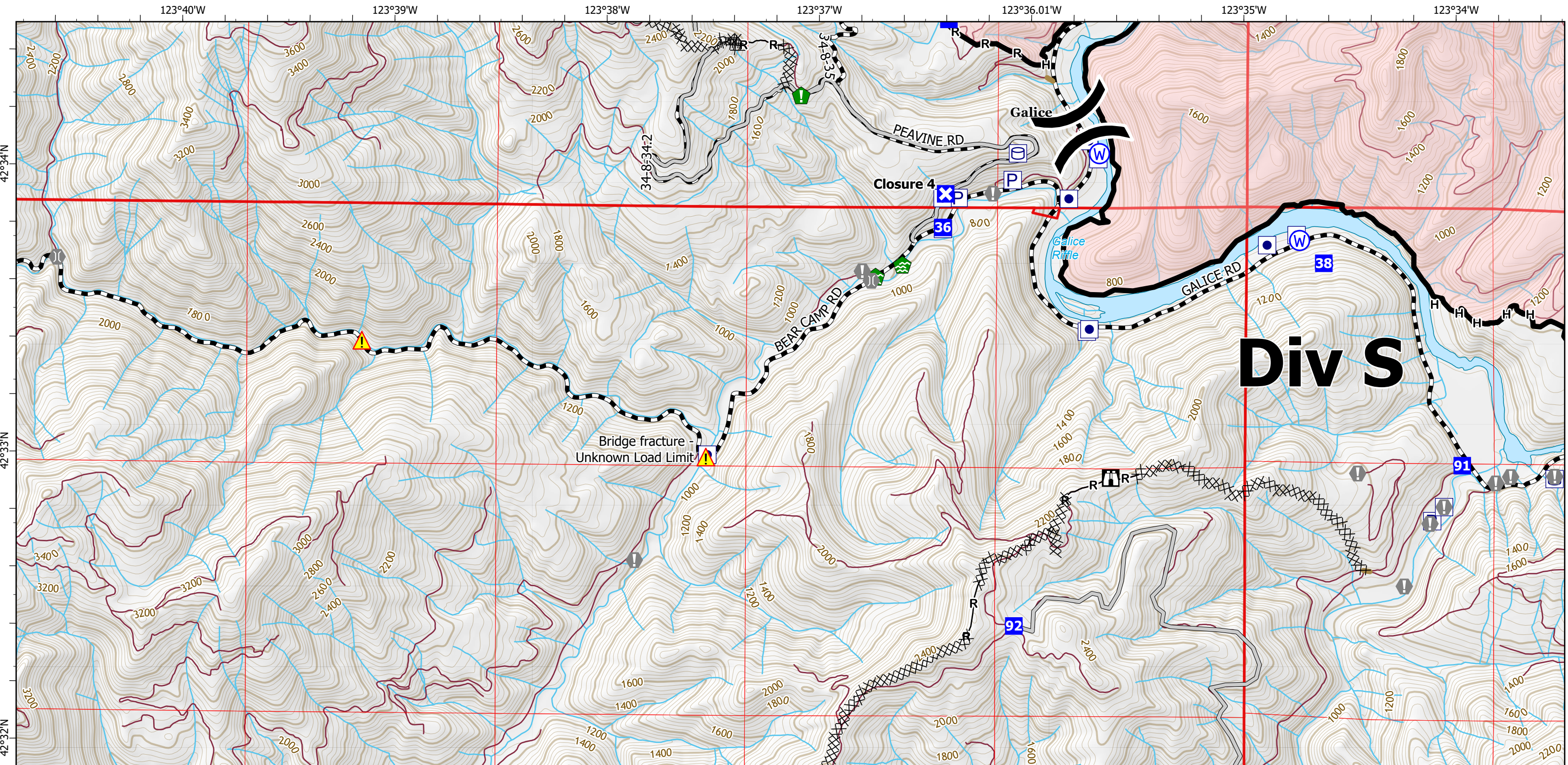


- | | | | |
|----------------|---------------------------------|---------------------|-----------------------------------|
| Aerial Hazard | Bridge | Clean Up Area | Water Tank |
| Dip Site | Water Development or Draft Site | Mobile Weather Unit | Completed Dozer Line |
| Helispot | Stream Crossing | Repeater | Completed Hand Line |
| Division Break | Road Repair | Hazard | Completed Mixed Construction Line |
| Drop Point | Resource Location | Water Source | Completed Road as Line |
| Closure | Repair Point | Fire Perimeter | Access or Improved Road |
| Value at Risk | Hazard Tree | Other Property | Road Repair |
| Gate | Culvert | Pump | River |



9/18/2022 2038
 IR Flight
 North American 1983 Datum. LatLong Grid



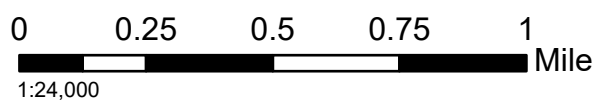


Incident Action Plan

Page 7 of 8
 Rum Creek
 ORMED000243
 09/19/2022

21,347 acres on 9/16/2022 @ 2004 PDT

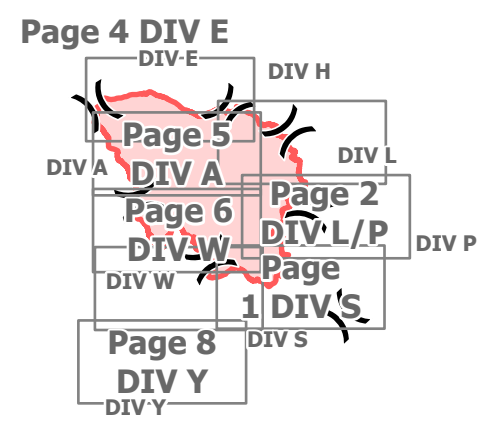
40' CONTOUR INTERVAL

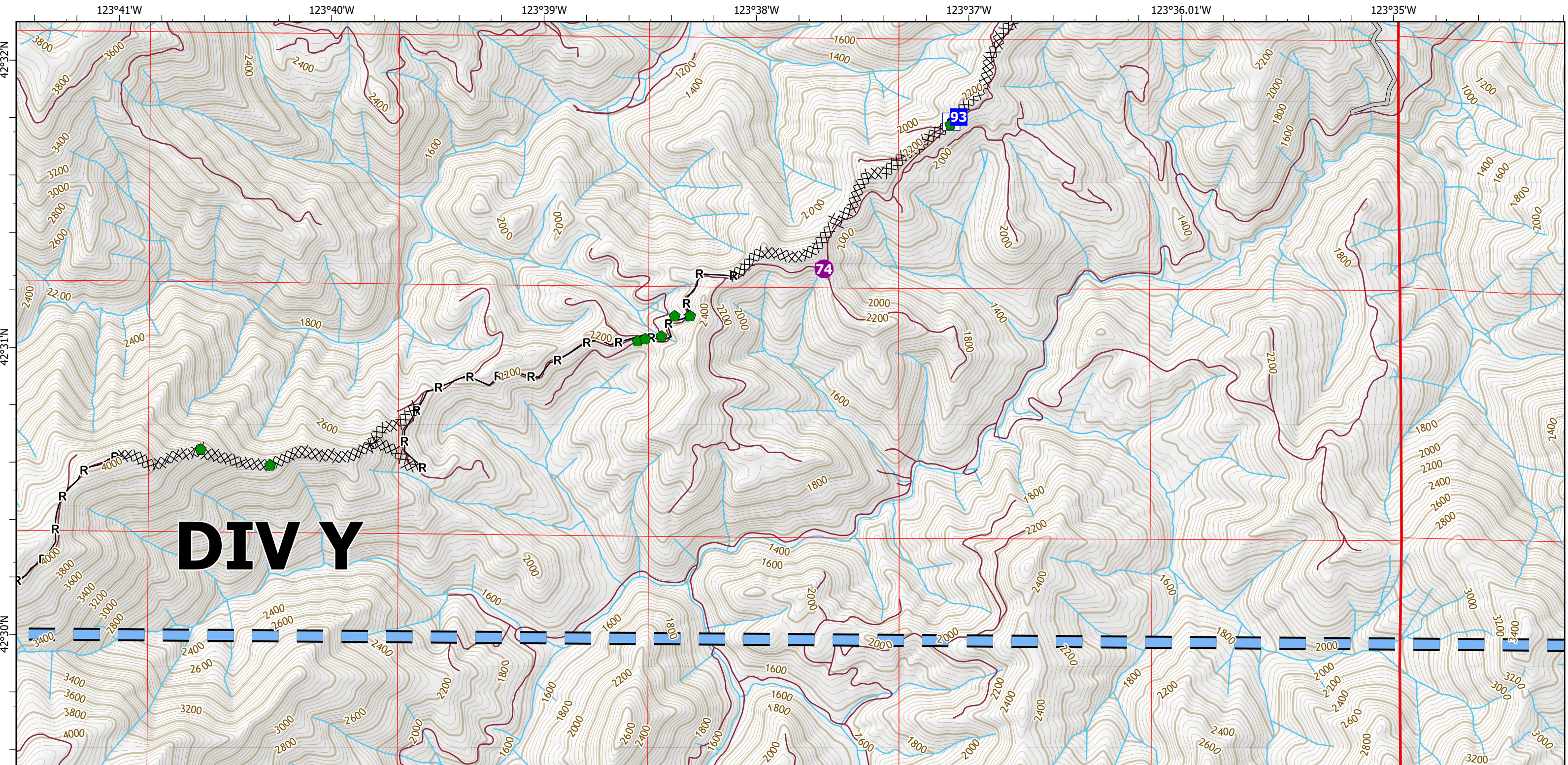


- | | | |
|---------------------------------|-------------------|-------------------------|
| Dip Site | Resource Location | Completed Dozer Line |
| Division Break | Repair Point | Completed Hand Line |
| Drop Point | Hazard | Completed Road as Line |
| Closure | Water Source | Access or Improved Road |
| Lookout | Fire Perimeter | Road Repair |
| Value at Risk | Other Property | River |
| Bridge | Pump | Major Operational Roads |
| Water Development or Draft Site | Water Tank | |



9/18/2022 2038
 IR Flight
 North American 1983 Datum. LatLong Grid



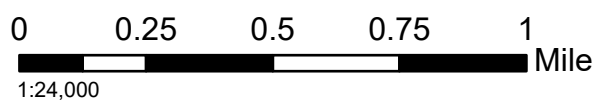


Incident Action Plan

Page 8 of 8
 Rum Creek
 ORMED00243
 09/19/2022

21,347 acres on 9/16/2022 @ 2004 PDT

40' CONTOUR INTERVAL



- Helispot
- Drop Point
- ◆ Repair Point
- Other Property
- XX XX Completed Dozer Line
- R— Completed Road as Line
- Access or Improved Road
- Temporary Flight Restriction



9/18/2022 2038
 IR Flight
 North American 1983 Datum. LatLong Grid

