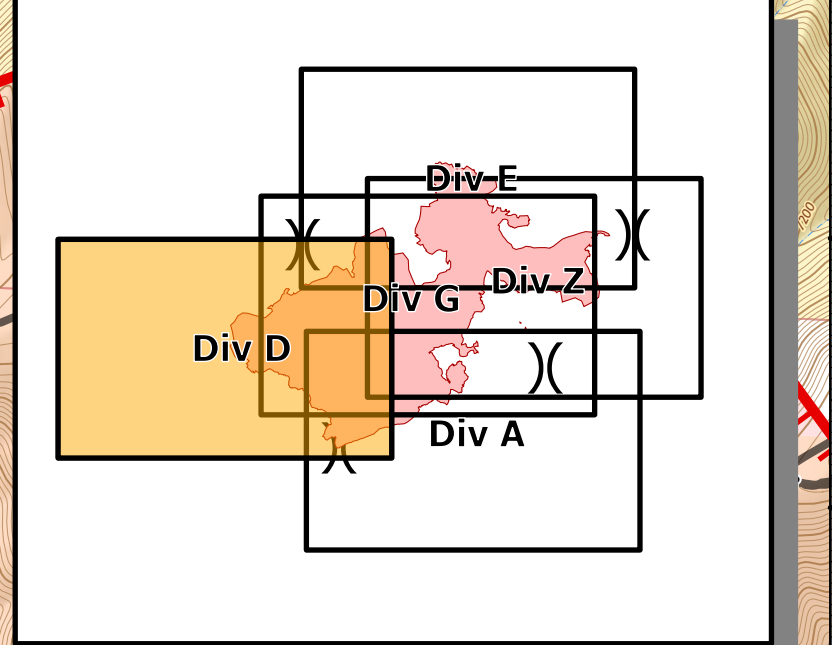


Div D
Pine Gulch
 COGRD-000307
 08/11/2020 Night

Appx 42,222 acres at
 1345 on 08/11/2020

0 0.25 0.5 1 Miles

- ◆ Dip Site
- Drop Point
- Helispot
- ⚠ Value at Risk
- ⌘ Division Break
- Structures
- ▲ Oil and Gas
- ▬ Uncontrolled Fire Edge
- ▬ Contained Line
- ▬ Completed Dozer Line
- ▬ Pipelines
- ▬ Local or 4WD road
- ▬ Trail
- ▬ Wildfire Daily Fire Perimeter
- ▬ Bureau of Land Management
- ▬ Private



108°43.51'W 108°43'W 108°42.5'W 108°42'W 108°41.5'W 108°41'W 108°40.5'W 108°40'W 108°39.5'W 108°39'W 108°38.5'W 108°38'W 108°37.5'W 108°37'W 108°36.5'W 108°36.01'W 108°35.5'W 108°35'W 108°34.5'W 108°34'W 108°33.5'W 108°33'W 108°32.5'W 108°32'W 108°31.5'W 108°31'W 108°30.5'W 108°30'W 108°29.5'W 108°29'W 108°28.51'W 108°28'W

8/11/2020 1505
 Acres from 10,000 GPS
 North American 1983 Datum, Lat/Long
 Grid