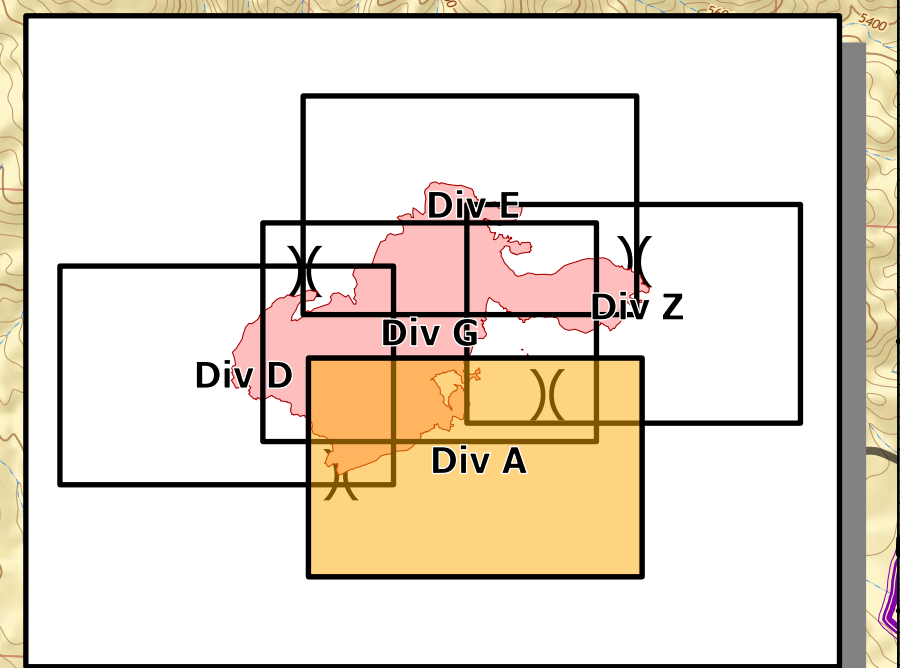


Div A
Pine Gulch
 COGRD-000307
 08/12/2020 Day

Appx 50,806 acres at
 2115 on 08/11/2020

0 0.25 0.5 1 Miles

- Camp
- Drop Point
- First Aid Station
- Helispot
- Water Source
- Value at Risk
- Division Break
- Structures
- Oil and Gas
- Uncontrolled Fire Edge
- Contained Line
- Completed Dozer Line
- Road as Completed Line
- Power Transmission Lines
- Pipelines
- Local or 4WD road
- Wildfire Daily Fire Perimeter
- Bureau of Land Management
- Private



8/11/2020 2248
 Acres from IR and GPS
 North American 1983 Datum, Lat/Long
 Grid