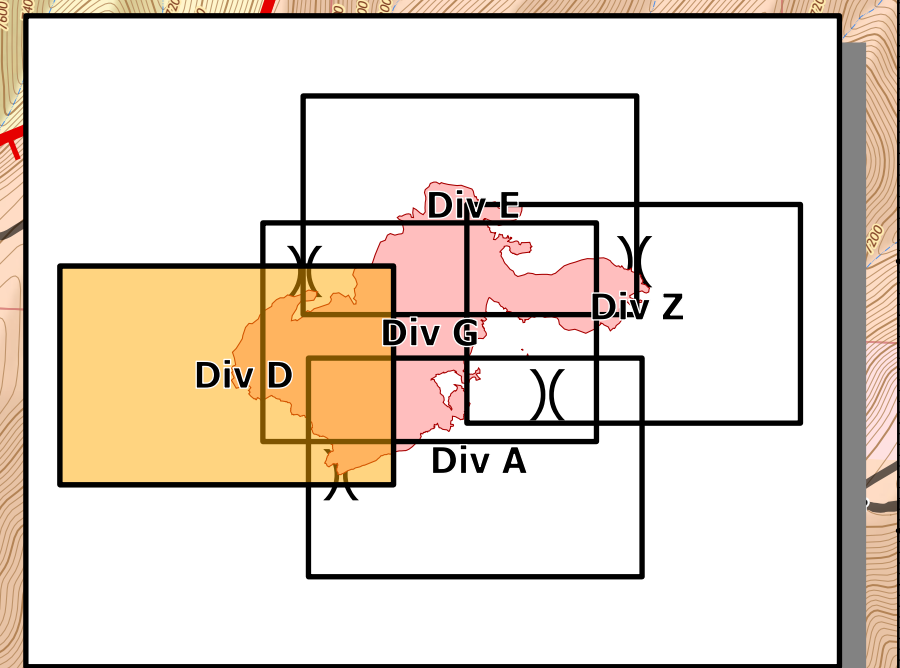


Div D
Pine Gulch
 COGRD-000307
 08/12/2020 Day

Appx 50,806 acres at
 2115 on 08/11/2020

0 0.25 0.5 1 Miles

- ◆ Dip Site
- Drop Point
- Helispot
- ▲ Value at Risk
- X Division Break
- Structures
- ▲ Oil and Gas
- - - Uncontrolled Fire Edge
- Contained Line
- - - Completed Dozer Line
- Pipelines
- Local or 4WD road
- - - Trail
- Wildfire Daily Fire Perimeter
- Bureau of Land Management
- Private



8/11/2020 2248
 Acres from IR and GPS
 North American 1983 Datum
 Latt/Long
 Cont