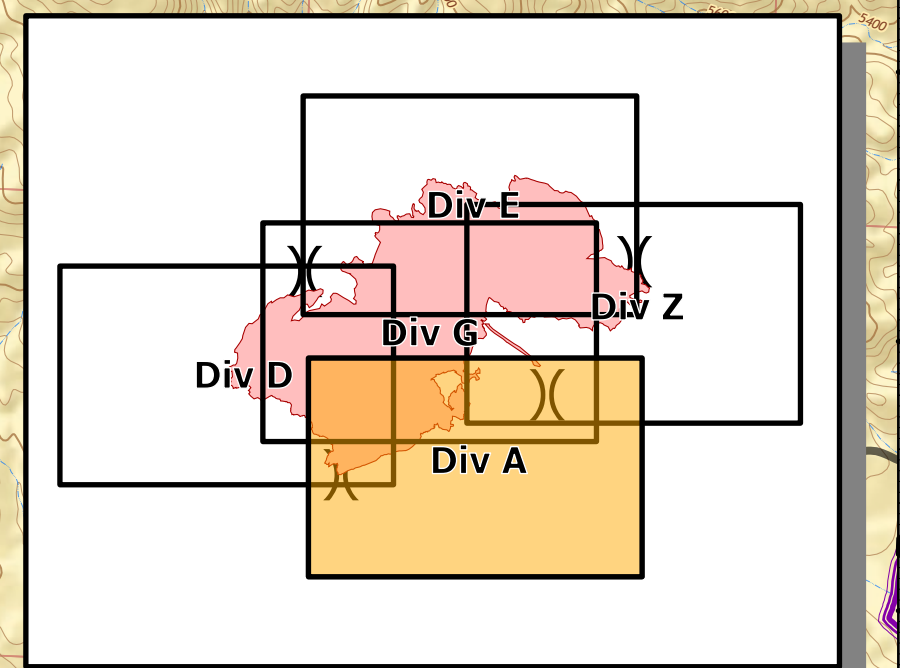


**Div A**  
**Pine Gulch**  
 COGRD-000307  
 08/12/2020 Night

Appx 58,836 acres at  
 1300 on 08/12/2020

0 0.25 0.5 1 Miles

- Camp
- Drop Point
- First Aid Station
- Helispot
- Water Source
- Value at Risk
- Division Break
- Structures
- Oil and Gas
- Uncontrolled Fire Edge
- Contained Line
- Completed Dozer Line
- Road as Completed Line
- Power Transmission Lines
- Pipelines
- Local or 4WD road
- Wildfire Daily Fire Perimeter
- Bureau of Land Management
- Private



8/12/2020 1607  
 Acres from IR and GPS  
 North American 1983 Datum, Lat/Long  
 Grid