

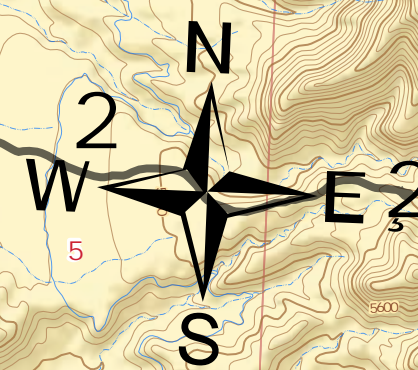
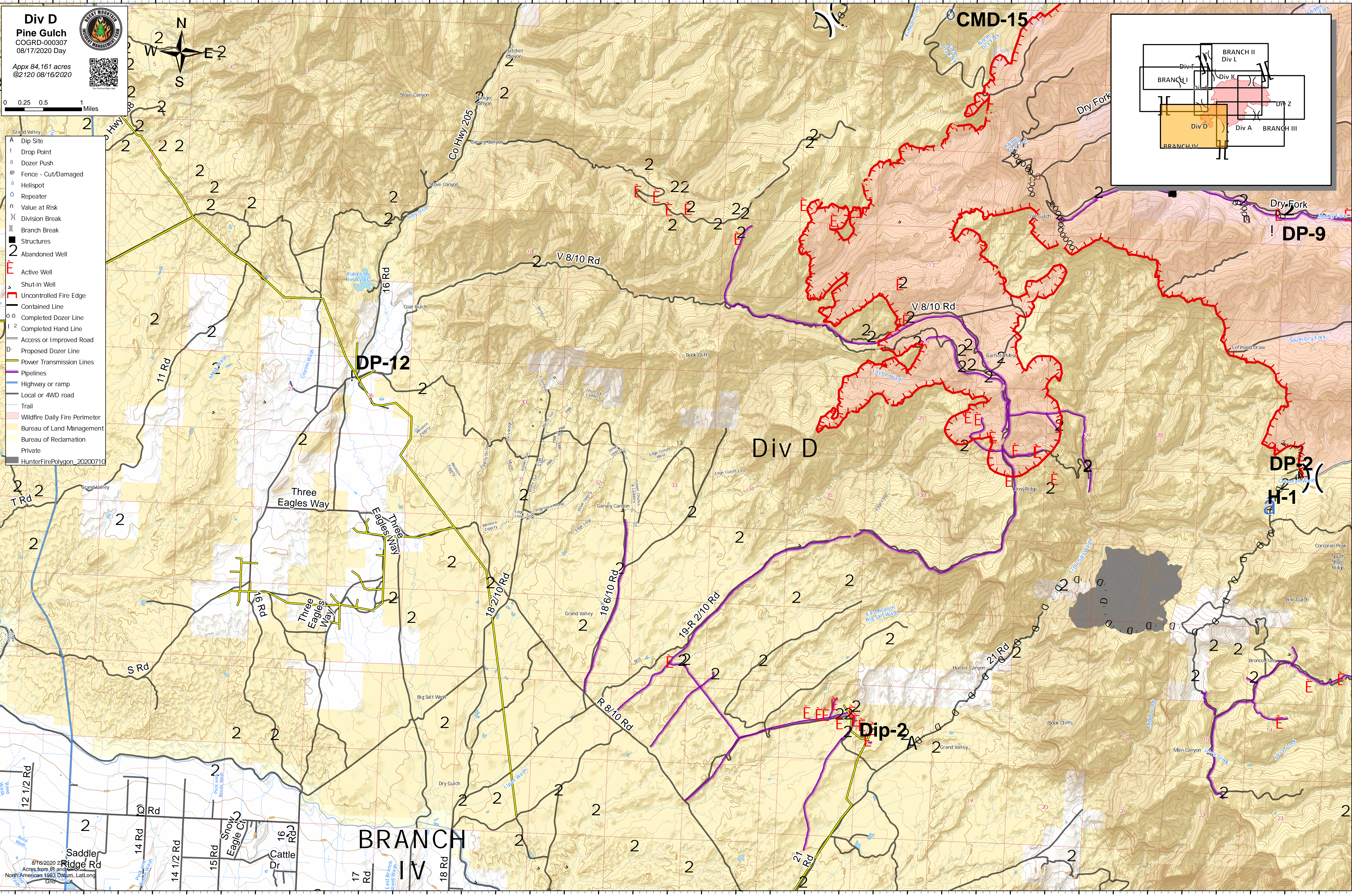
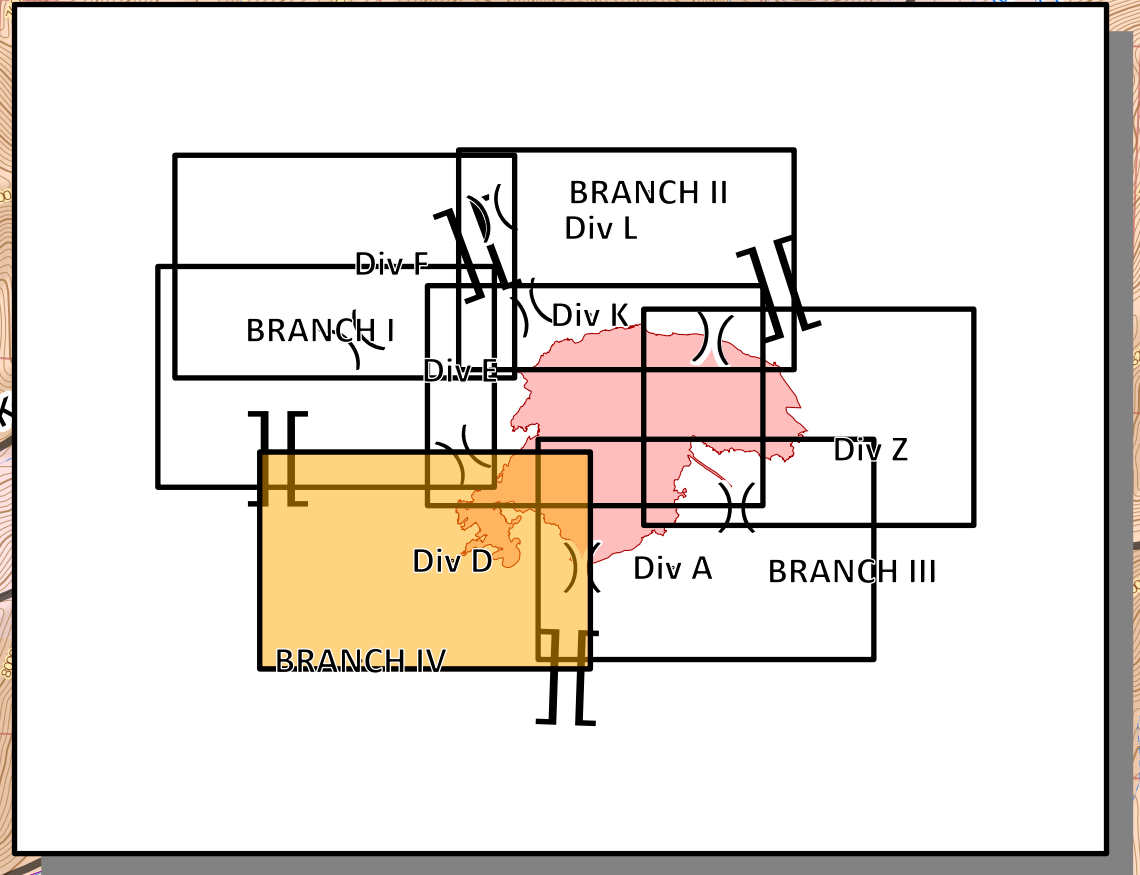


Div D
Pine Gulch
 COGRD-000307
 08/17/2020 Day

Appx 84,161 acres
 @2120 08/16/2020

- A Dip Site
- I Drop Point
- a Dozer Push
- @ Fence - Cut/Damaged
- o Hellsport
- o Repeater
- n Value at Risk
- (Division Break
- | Branch Break
- II Structures
- Abandoned Well
- Active Well
- Shut-in Well
- Uncontrolled Fire Edge
- Contained Line
- o Completed Dozer Line
- o Completed Hand Line
- Access or Improved Road
- D Proposed Dozer Line
- Power Transmission Lines
- Pipelines
- Highway or ramp
- Local or 4WD road
- Trail
- Wildfire Daily Fire Perimeter
- Bureau of Land Management
- Bureau of Reclamation
- Private
- HunterFirePolygon_20200710



8/16/2020 2:00 PM
 Acres from IR and
 North American 1983 Datum, Lat/Long
 GCS