

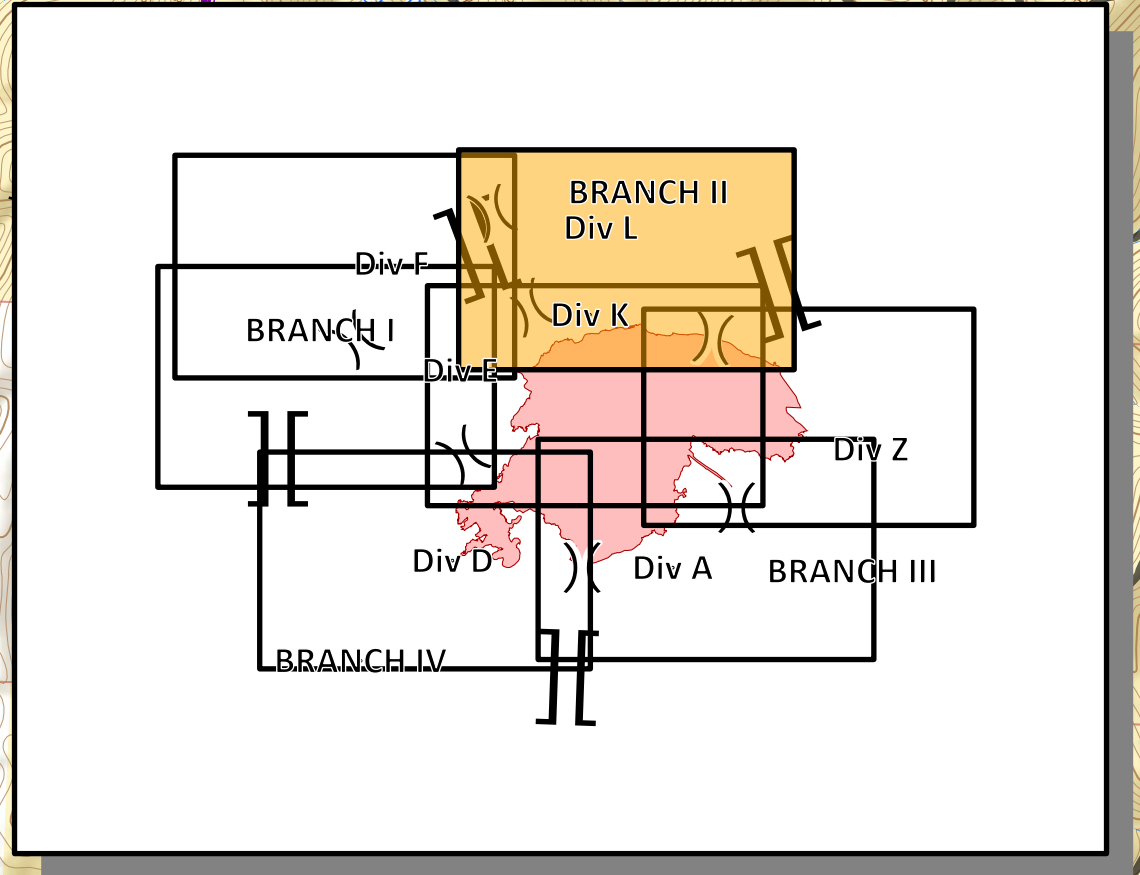
Div L
Pine Gulch
 COGRD-000307
 08/17/2020 Day

Appx 84,161 acres
 @2120 08/16/2020




0 0.25 0.5 1 Miles

- Bridge
- A Dip Site
- I Drop Point
- a Dozer Push
- G Gate
- H Hazard
- h Helispot
- r Retardant/Mud Pit
- o Water Source
- n Value at Risk
- (Division Break
- || Branch Break
- Structures
- 2 Abandoned Well
- E Active Well
- S Shut-in Well
- Uncontrolled Fire Edge
- Contained Line
- o o Completed Dozer Line
- D Proposed Dozer Line
- x Other
- Power Transmission Lines
- Pipelines
- Local or 4WD road
- Wildfire Daily Fire Perimeter
- Bureau of Land Management
- Private



8/16/2020 2354
 Acres from IR and GPS
 North American 1983 Datum: Lat/Long
 Grid