

**PINE GULCH**  
**CO-GRD-000307**  
**8/20/2020 Day**  
**Div A - part, Div Z-part**



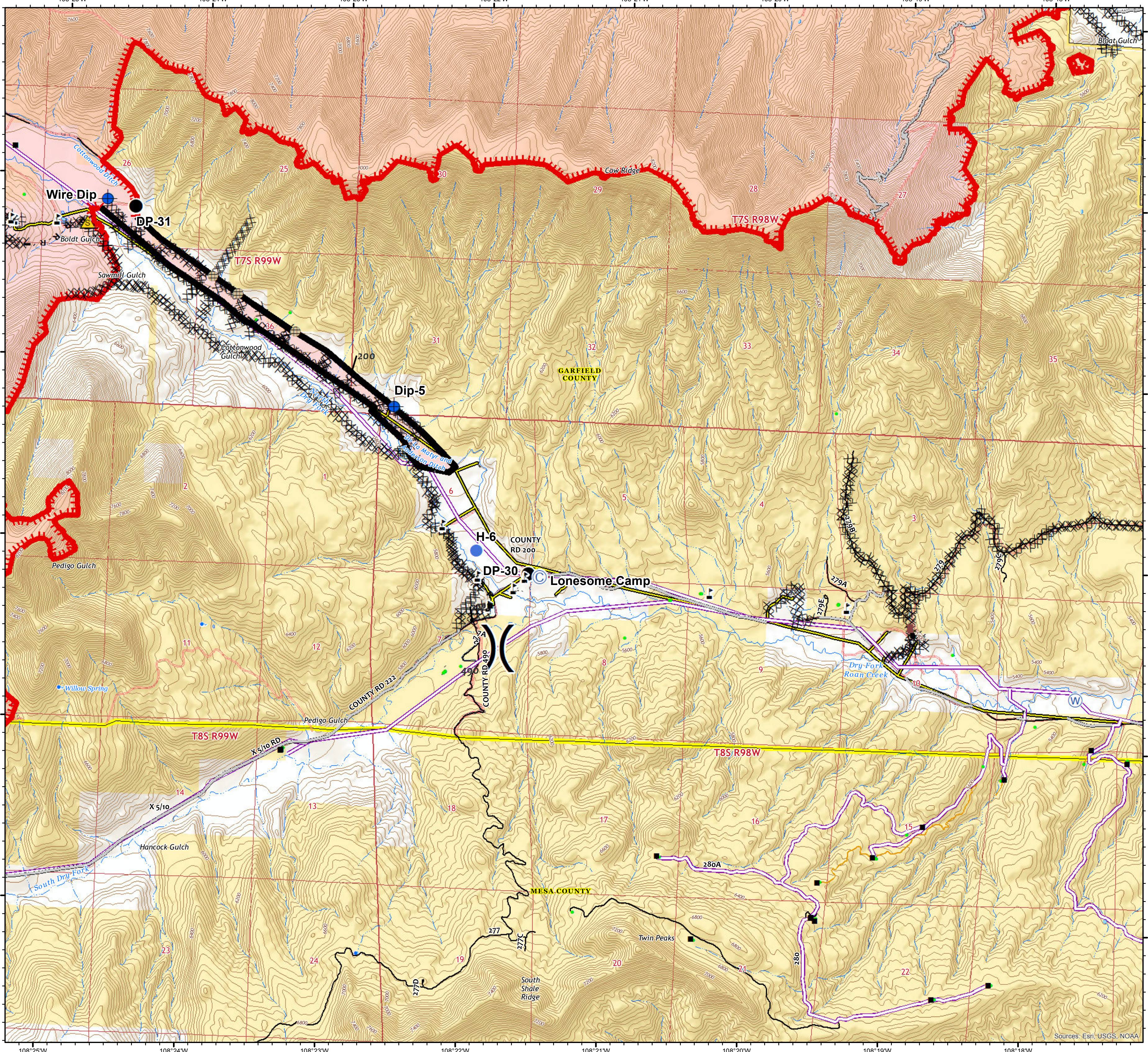
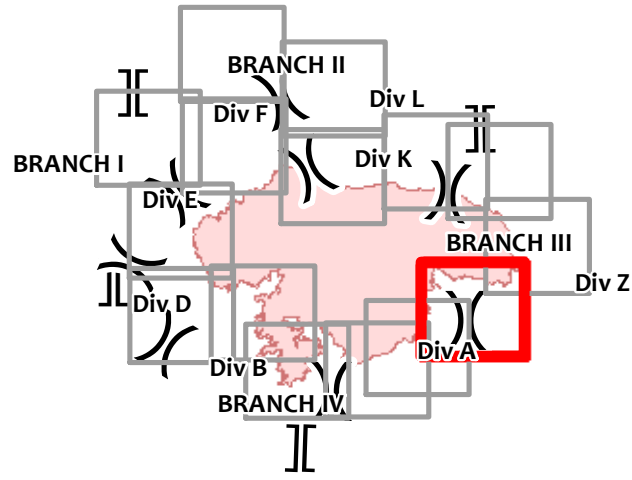
MMR Perimeter as of 8/19/2020 @ 2030

Approx acres 121,483

0 0.25 0.5 Miles

Created by KKolanoski, 8/19/2020

Coordinate System: NAD 1983 UTM Zone 13N



- Wildfire Daily Fire Perimeter
- Camp
- Dip Site
- Drop Point
- Dozer Push
- Fence - Cut/Damaged
- Heli-spot
- Safety Zone
- Water Source
- Value at Risk
- Division Break
- Completed Dozer Line
- Uncontrolled Fire Edge
- Contained Line
- Completed Hand Line
- Road as Completed Line
- Access or Improved Road
- Planned Fire Line
- Structures
- Oil and Gas Wells
- All Pipelines
- Grand Valley Power Transmission Lines
- BLM Colorado Roads and Trails**
- Unknown
- Motorized
- Licensed Street-Legal Vehicle, Motorcycle, ATV, Bicycle, Equestrian, Hiking
- Garfield County Roads**
- Garfield County Roads
- Mesa County Roads
- Bureau of Land Management
- Private

Sources: Esri, USGS, NOAA