

PINE GULCH
CO-GRD-000307
8/20/2020 Day
Div B - South



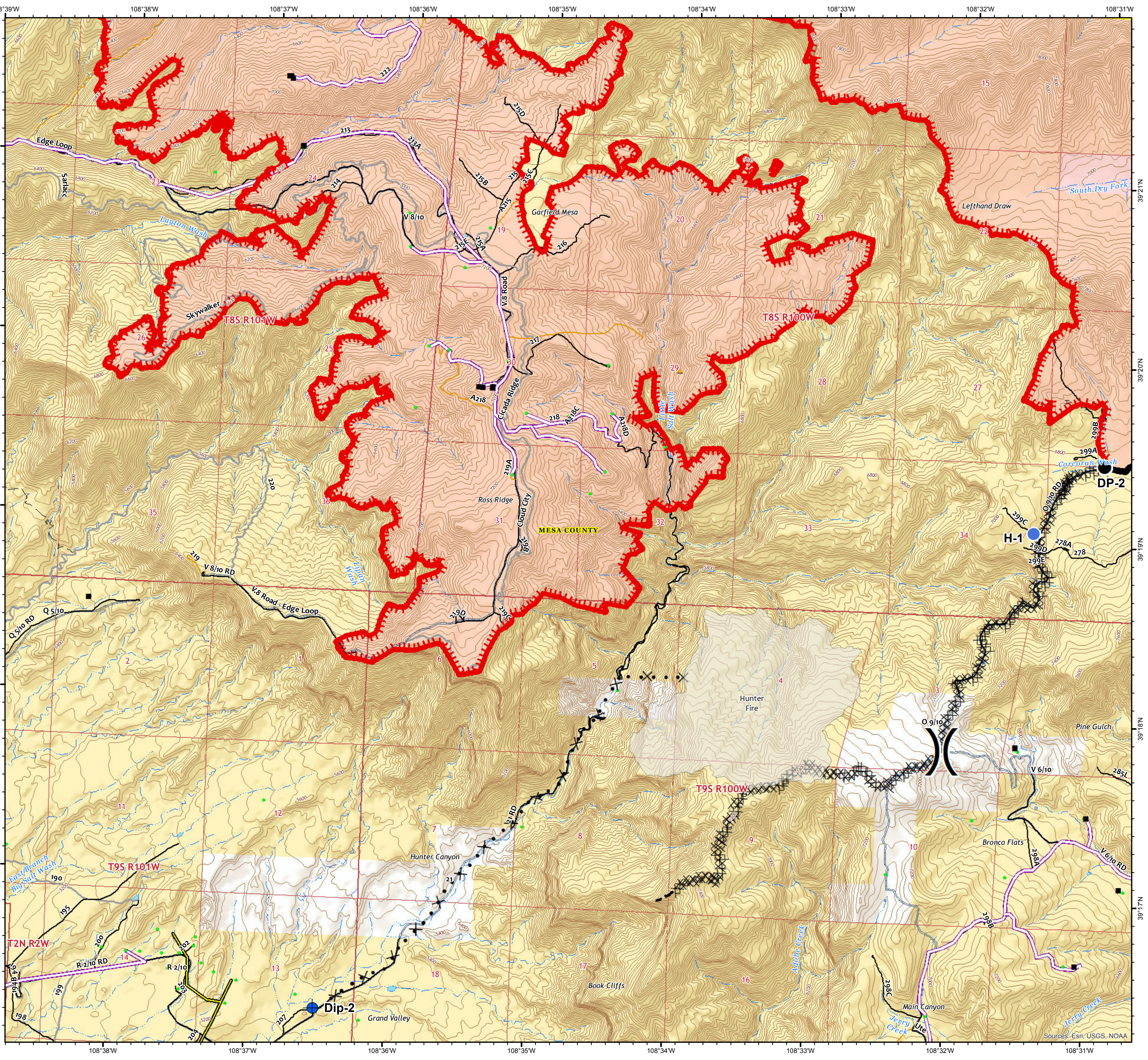
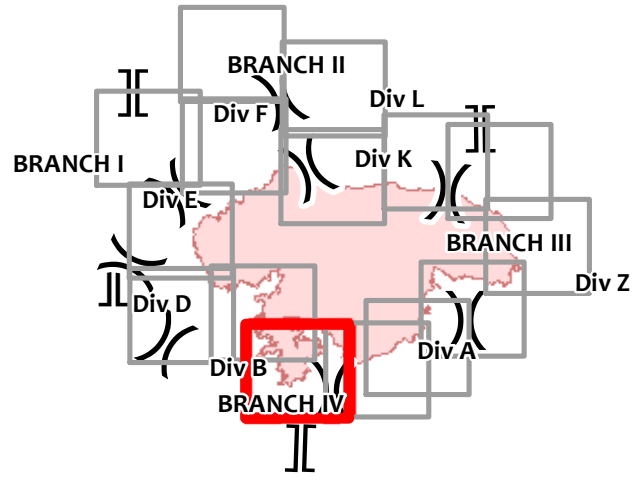
MMR Perimeter as of 8/19/2020 @ 2030

Approx acres 121,483

0 0.25 0.5 Miles

Created by KKolanoski, 8/19/2020

Coordinate System: NAD 1983 UTM Zone 13N



- Wildfire Daily Fire Perimeter
- Dip Site
- Drop Point
- Helispot
- Division Break
- Completed Dozer Line
- Uncontrolled Fire Edge
- Contained Line
- Completed Hand Line
- Access or Improved Road
- Proposed Dozer Line
- Planned Fire Line
- Dormant Coal Fires
- Oil and Gas Wells
- All Pipelines
- Grand Valley Power Transmission Lines
- BLM Colorado Roads and Trails**
- Unknown
- Motorized
- Licensed Street-Legal Vehicle, Motorcycle, ATV, Bicycle, Equestrian, Hiking
- Motorcycle Shared (OHV Limited Designation)
- Non-Motorized
- Shared Non-Motorized (Hiking, Bicycle, Equestrian)
- GJFO Trails**
- Motorized
- Motorcycle Shared (OHV Limited Designation)
- Non-Motorized
- Shared Non-Motorized (Hiking, Bicycle, Equestrian)
- Mesa County Roads
- Hunter Fire Perimeter
- Bureau of Land Management
- Private

Sources: Esri, USGS, NOAA