

# PINE GULCH

## CO-GRD-000307

### 8/20/2020 Day

#### Div B-Central



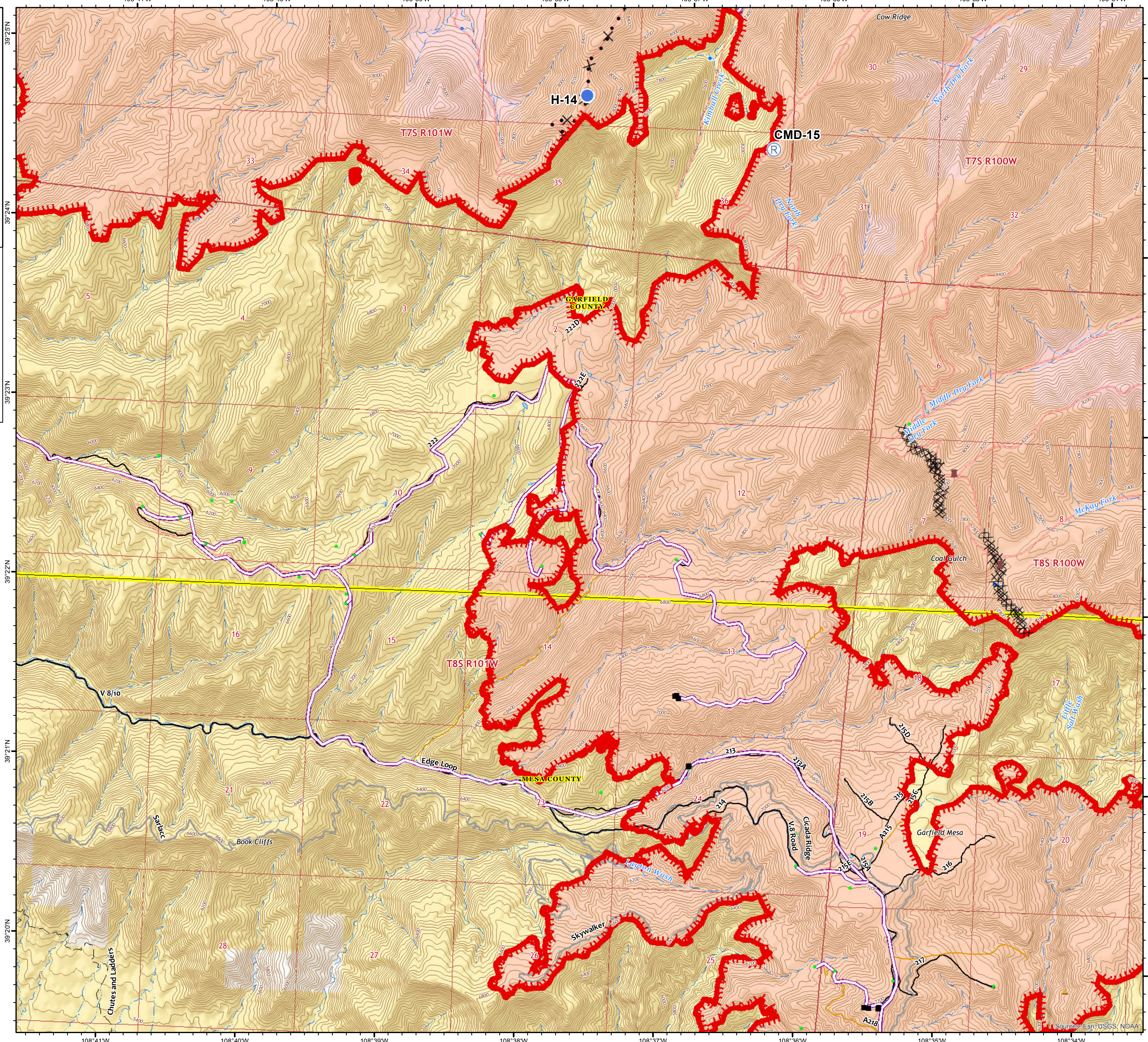
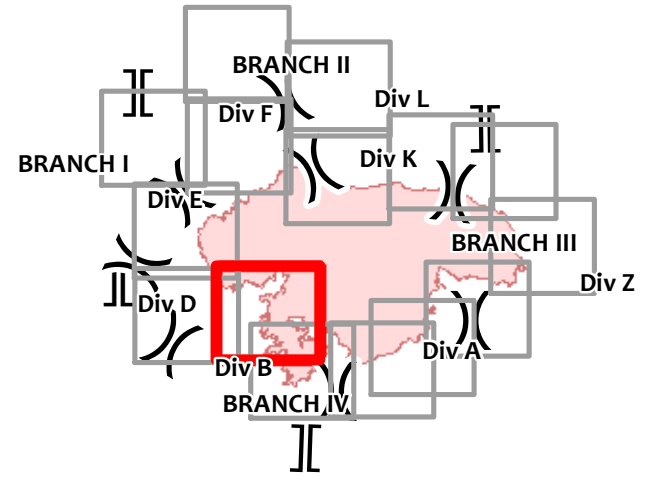
MMR Perimeter as of 8/19/2020 @ 2030

Approx acres 121,483

0 0.25 0.5 Miles

Created by KKolanski, 8/19/2020

Coordinate System: NAD 1983 UTM Zone 13N



- Wildfire Daily Fire Perimeter
- Dozer Push
- Hellspot
- Repeater
- Completed Dozer Line
- Uncontrolled Fire Edge
- Proposed Dozer Line
- Dormant Coal Fires
- Oil and Gas Wells
- All Pipelines

**BLM Colorado Roads and Trails**

- Unknown
- Motorized
- Licensed Street-Legal Vehicle, Motorcycle, ATV, Bicycle, Equestrian, Hiking
- Motorcycle Shared (OHV Limited Designation)
- Shared Motorcycle, ATV, Mountain Bike, Electric Mountain Bike, Equestrian, Hiking
- Non-Motorized
- Shared Non-Motorized (Hiking, Bicycle, Equestrian)

**GJFO Trails**

- Motorized
- Motorcycle Shared (OHV Limited Designation)
- Shared Motorcycle, ATV, Mountain Bike, Electric Mountain Bike, Equestrian, Hiking
- Non-Motorized
- Shared Non-Motorized (Hiking, Bicycle, Equestrian)

**Garfield County Roads**

- Garfield County Roads
- Mesa County Roads
- Bureau of Land Management
- Private

Sources: Esri, USGS, NOAA