

**PINE GULCH  
CO-GRD-000307  
8/20/2020 Day**

Div B-West, Div D-South



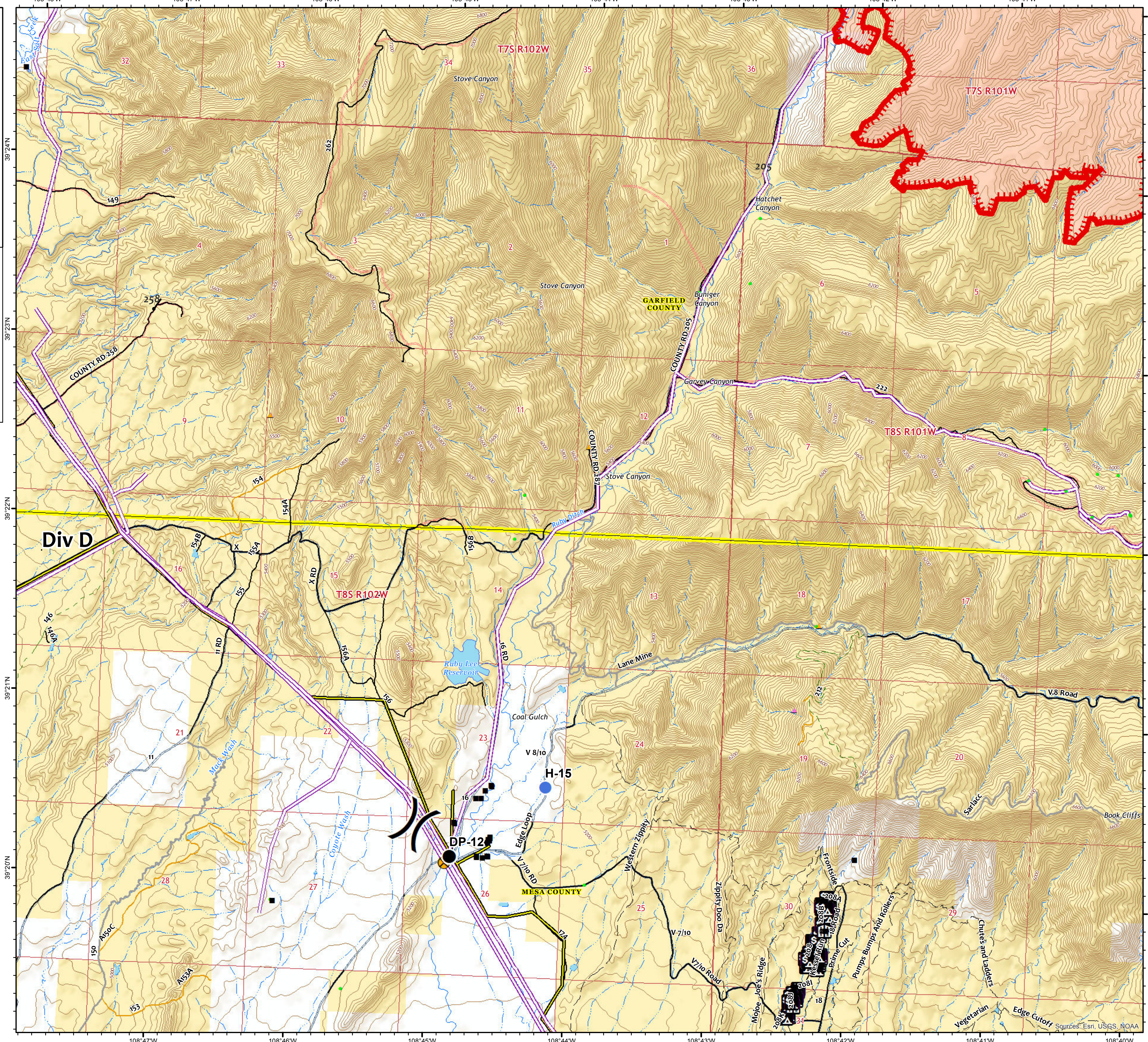
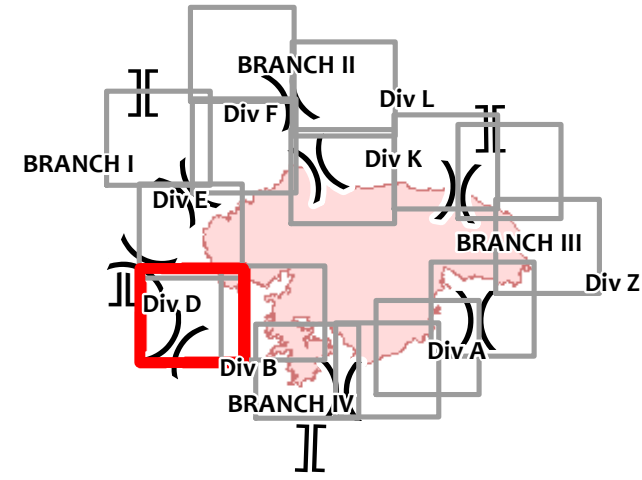
MMR Perimeter as of 8/19/2020 @ 2030

Approx acres 121,483

0 0.25 0.5 Miles

Created by KKolanoski, 8/19/2020

Coordinate System: NAD 1983 UTM Zone 13N



- Wildfire Daily Fire Perimeter
- Drop Point
- Hellsport
- Division Break
- Uncontrolled Fire Edge
- Road Closure Location
- Dormant Coal Fires
- Coal Fires
- Oil and Gas Wells
- All Pipelines
- Campground
- Campsite - Developed - Non Reservable - Fee
- Toilet
- Grand Valley Power Transmission Lines
- BLM Colorado Roads and Trails**
- Unknown
- Motorized -
- Licensed Street-Legal Vehicle, Motorcycle, ATV, Bicycle, Equestrian, Hiking
- Motorcycle Shared (OHV Limited Designation)
- Shared Motorcycle, ATV, Mountain Bike, Electric Mountain Bike, Equestrian, Hiking
- Non-Motorized -
- Shared Non-Motorized (Hiking, Bicycle, Equestrian)
- GJFO Trails**
- Motorized -
- Motorcycle Shared (OHV Limited Designation)
- Shared Motorcycle, ATV, Mountain Bike, Electric Mountain Bike, Equestrian, Hiking
- Non-Motorized -
- Shared Non-Motorized (Hiking, Bicycle, Equestrian)
- Garfield County Roads**
- Garfield County Roads
- Mesa County Roads
- Bureau of Land Management
- Private