

PINE GULCH
CO-GRD-000307
8/20/2020 Day

Div F-West



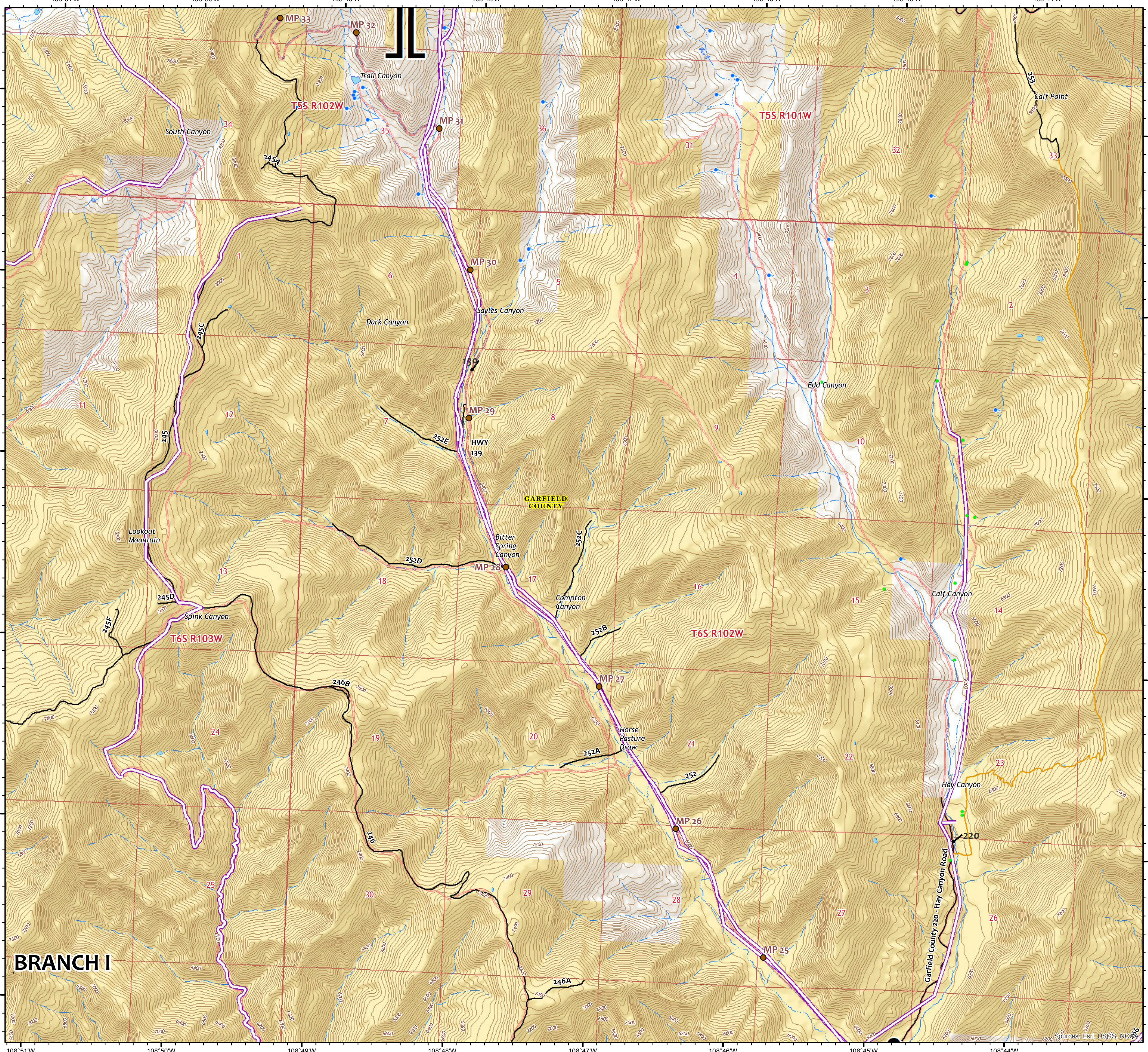
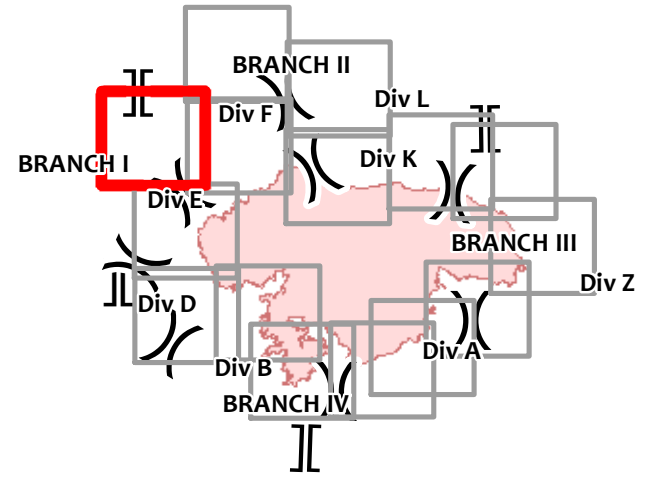
MMR Perimeter as of 8/19/2020 @ 2030

Approx acres 121,483

0 0.25 0.5 Miles

Created by KKolanoski, 8/19/2020

Coordinate System: NAD 1983 UTM Zone 13N



BRANCH I

- Drop Point
- Branch Break
- Mile Posts
- Oil and Gas Wells
- All Pipelines

BLM Colorado Roads and Trails

- Unknown
- Motorized
- Licensed Street-Legal Vehicle, Motorcycle, ATV, Bicycle, Equestrian, Hiking

Garfield County Roads

- Garfield County Roads
- Mesa County Roads
- Bureau of Land Management
- Private

Sources: Esri, USGS, NOAA