

# PINE GULCH CO-GRD-000307 8/20/2020 Day

Div F - East



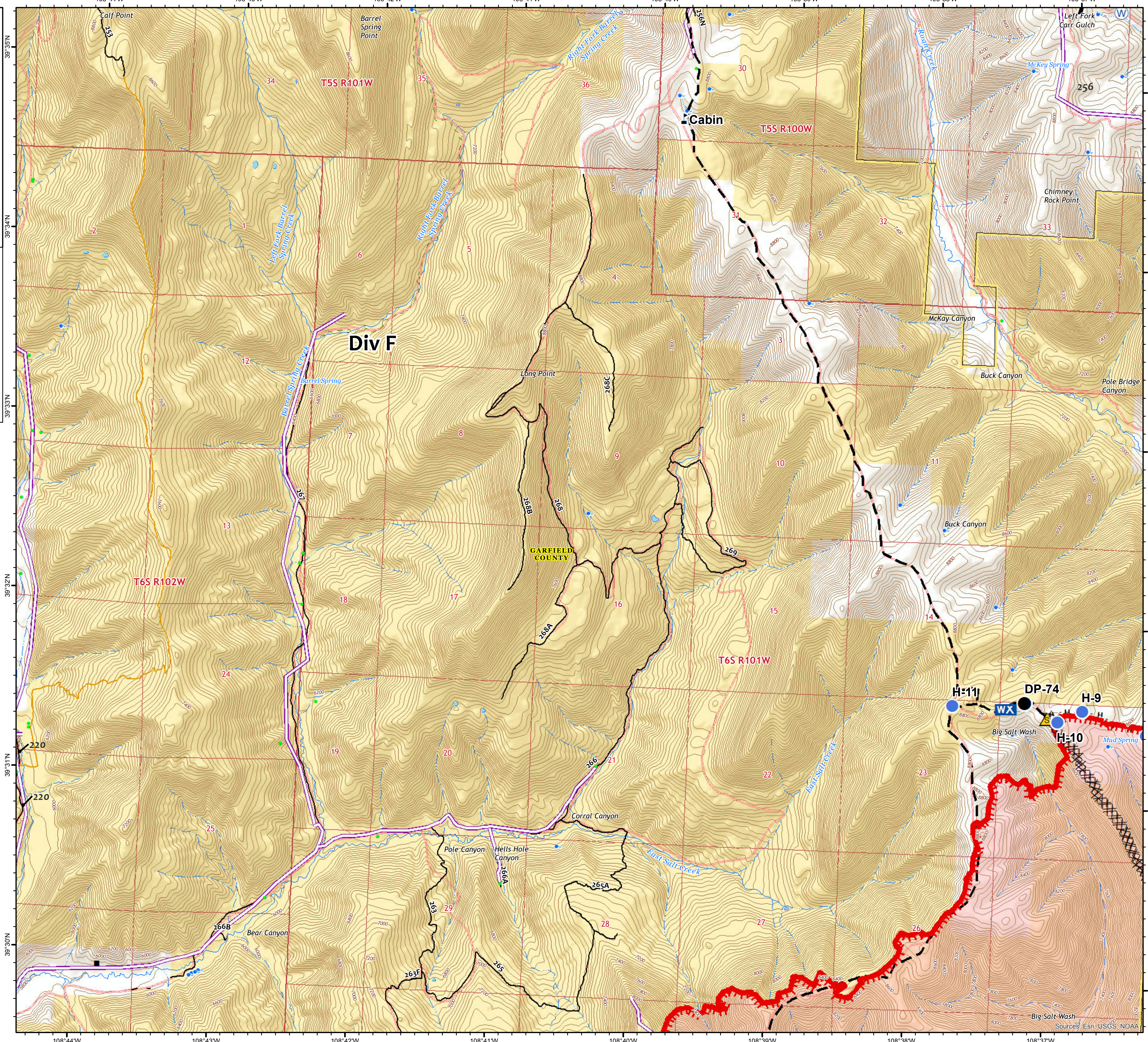
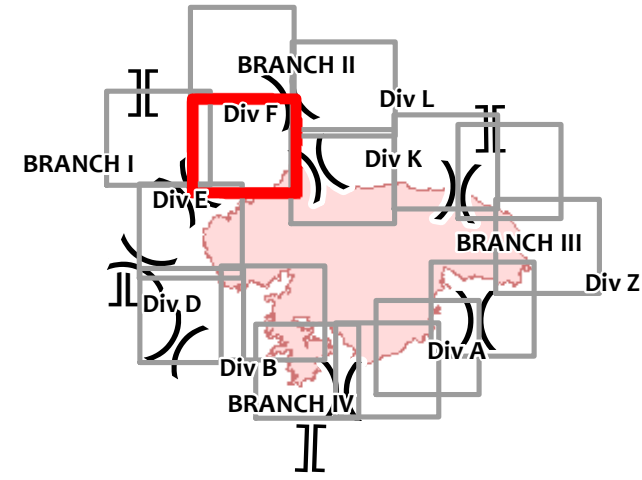
MMR Perimeter as of 8/19/2020 @ 2030

Approx acres 121,483

0 0.25 0.5 Miles

Created by KKolanoski, 8/19/2020

Coordinate System: NAD 1983 UTM Zone 13N



- Wildfire Daily Fire Perimeter
- Drop Point
- Helispot
- Mobile Weather Unit
- Safety Zone
- Water Source
- Value at Risk
- Completed Dozer Line
- Uncontrolled Fire Edge
- Completed Hand Line
- Planned Fire Line
- Oil and Gas Wells
- All Pipelines
- BLM Colorado Roads and Trails**
- Unknown
- Motorized
- Licensed Street-Legal Vehicle, Motorcycle, ATV, Bicycle, Equestrian, Hiking
- Shared Motorcycle, ATV, Mountain Bike, Electric Mountain Bike, Equestrian, Hiking
- GJFO Trails**
- Motorized
- Shared Motorcycle, ATV, Mountain Bike, Electric Mountain Bike, Equestrian, Hiking
- Garfield County Roads**
- Garfield County Roads
- Bureau of Land Management
- Private

Sources: Esri, USGS, NOAA