

**PINE GULCH  
CO-GRD-000307  
8/20/2020 Day**

**Div F -North**



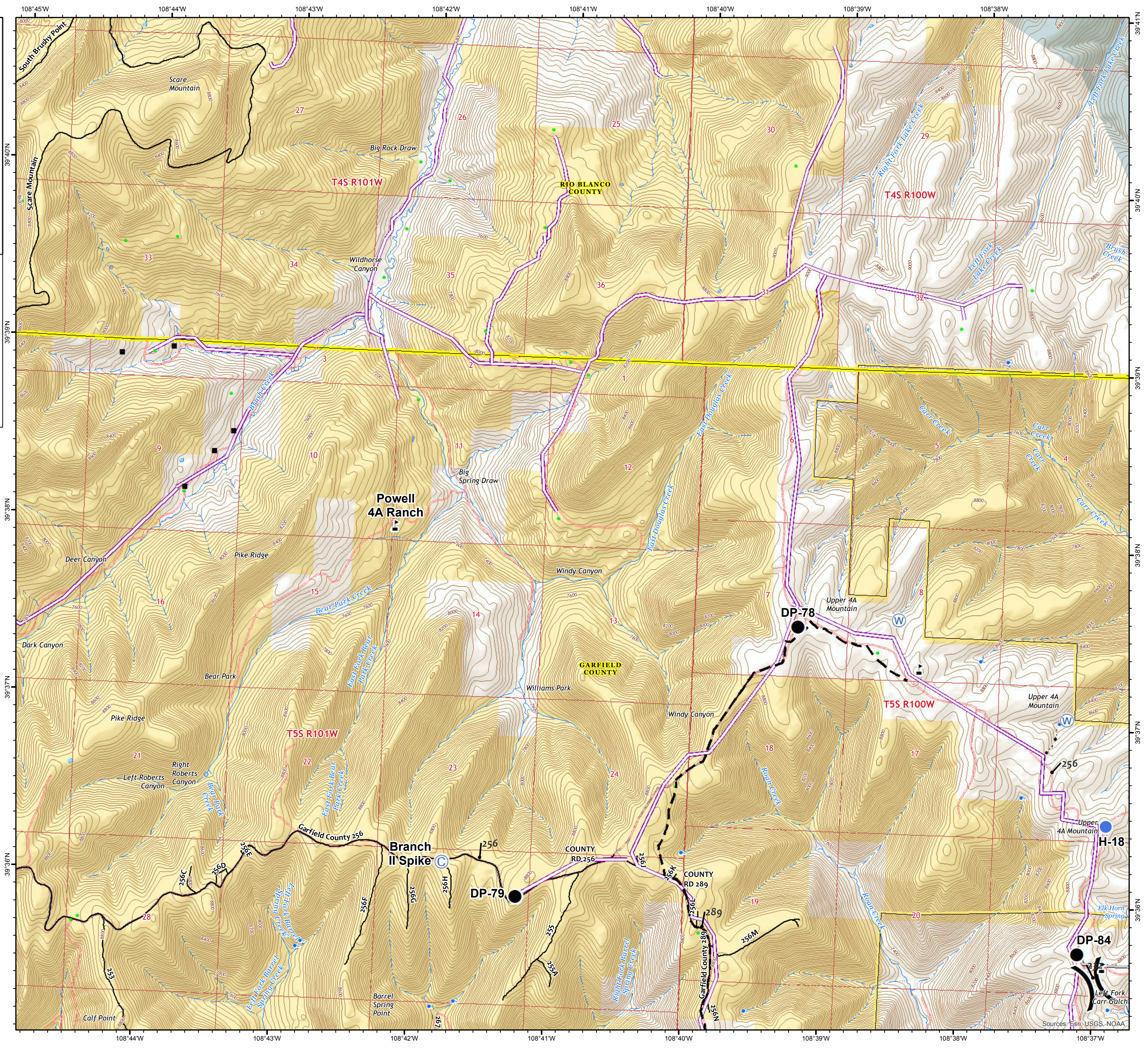
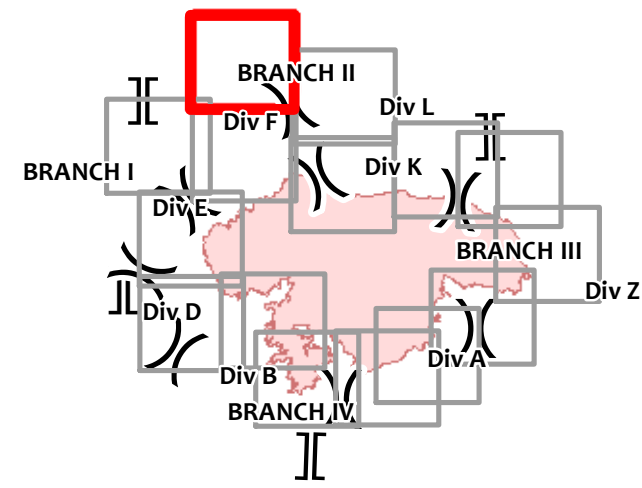
**MMR Perimeter as of 8/19/2020 @ 2030**

**Approx acres 121,483**

0 0.25 0.5  
Miles

Created by KKolonoski, 8/19/2020

Coordinate System: NAD 1983 UTM Zone 13N



- Camp
- Drop Point
- Helispot
- Water Source
- Value at Risk
- Division Break
- Access or Improved Road
- Planned Fire Line
- Oil and Gas Wells
- All Pipelines
- BLM Colorado Roads and Trails**
- Unknown
- Motorized
- Shared Street-Legal Vehicle, Motorcycle, ATV, Bicycle, Equestrian, Hiking
- Shared Motorcycle, ATV, Mountain Bike, Electric Mountain Bike, Equestrian, Hiking
- GJFO Trails**
- Motorized
- Shared Motorcycle, ATV, Mountain Bike, Electric Mountain Bike, Equestrian, Hiking
- Garfield County Roads**
- Garfield County Roads
- Mesa County Roads
- Bureau of Land Management
- Private
- State, County, City, Areas

Sources: Esri, USGS, NOAA