

**PINE GULCH**  
**CO-GRD-000307**  
**8/20/2020 Day**

Div L -West

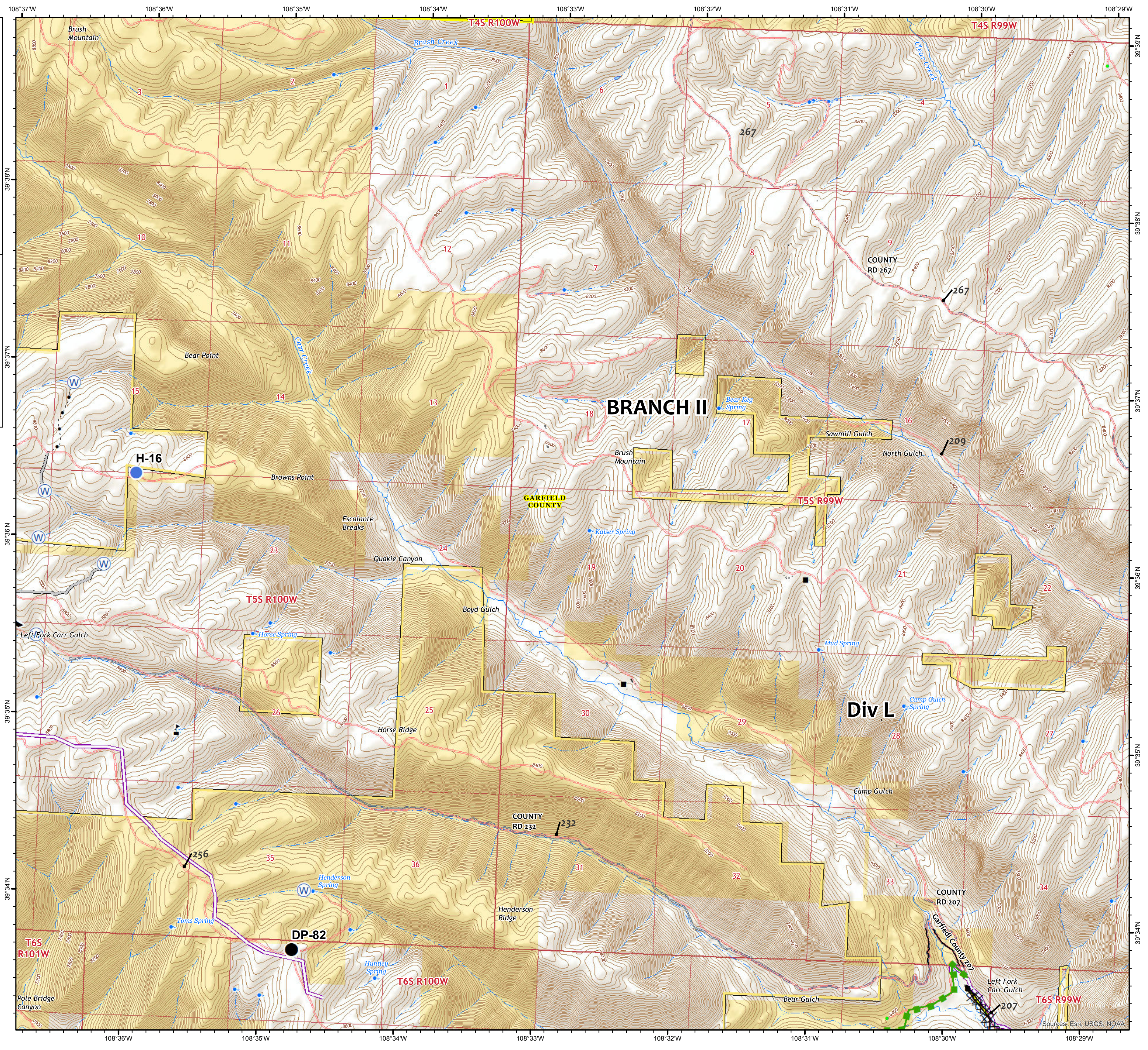
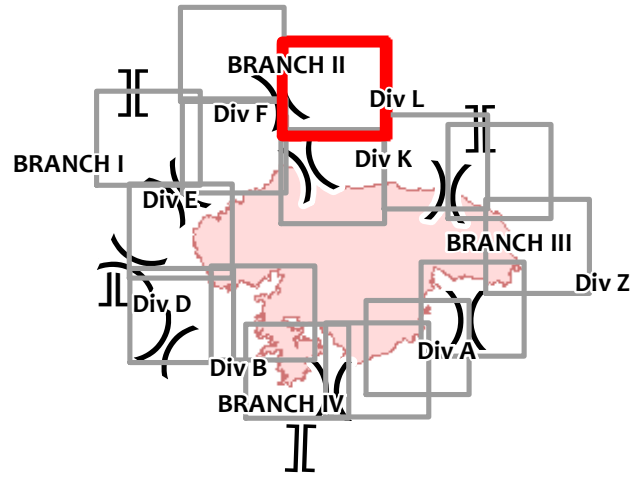


MMR Perimeter as of 8/19/2020 @ 2030

Approx acres 121,483

0 0.25 0.5  
Miles

Created by KKolanski, 8/19/2020  
Coordinate System: NAD 1983 UTM Zone 13N



- Drop Point
- Helispot
- Water Source
- Value at Risk
- Completed Dozer Line
- Access or Improved Road
- Oil and Gas Wells
- All Pipelines
- Grand Valley Power Transmission Lines
- BLM Colorado Roads and Trails**
- Motorized -
- Licensed Street-Legal Vehicle, Motorcycle, ATV, Bicycle, Equestrian, Hiking
- Garfield County Roads**
- Garfield County Roads
- Mesa County Roads
- Bureau of Land Management
- Private

Sources: Esri, USGS, NOAA