

PINE GULCH
CO-GRD-000307
8/20/2020 Day
Div Z - North



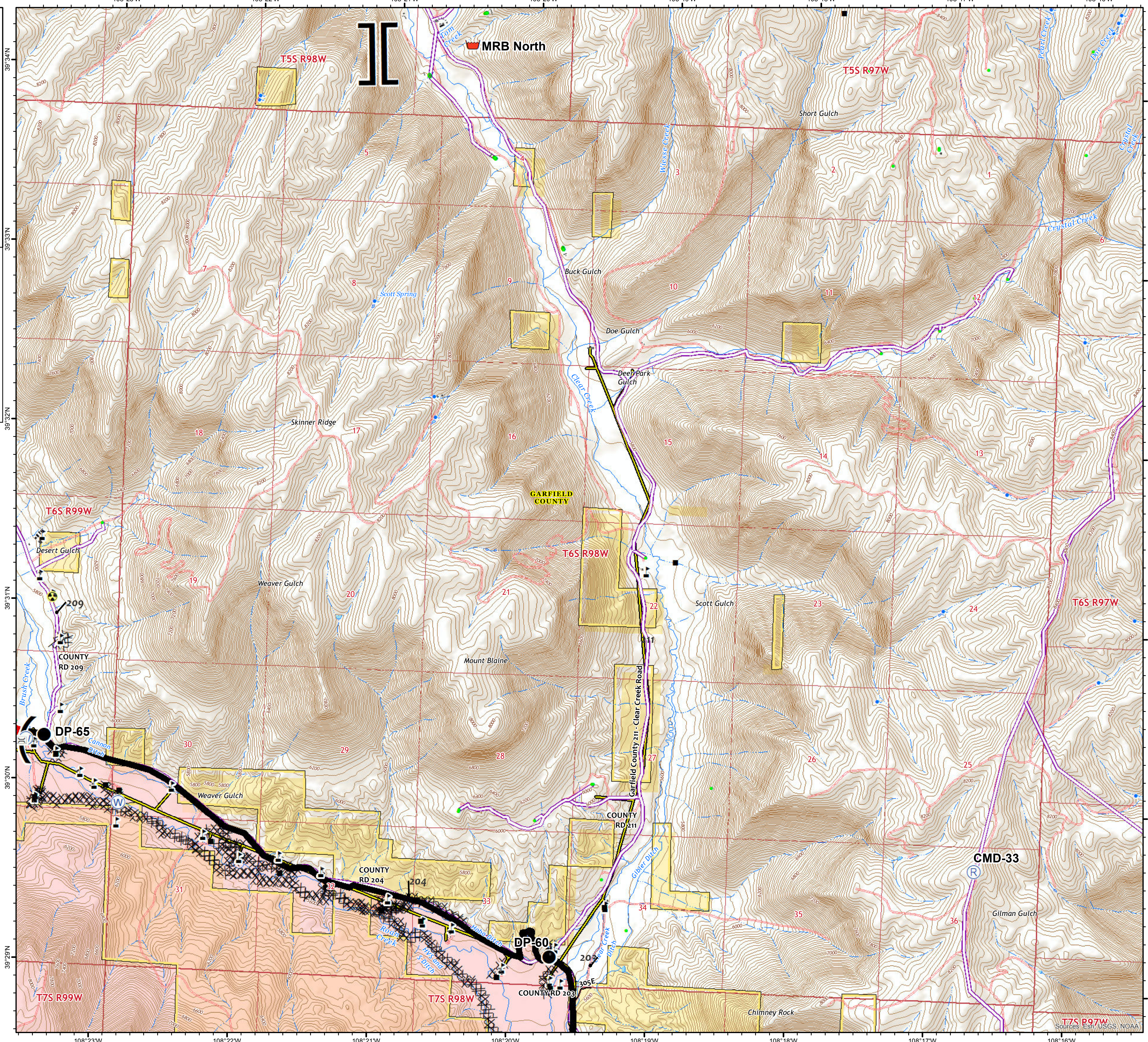
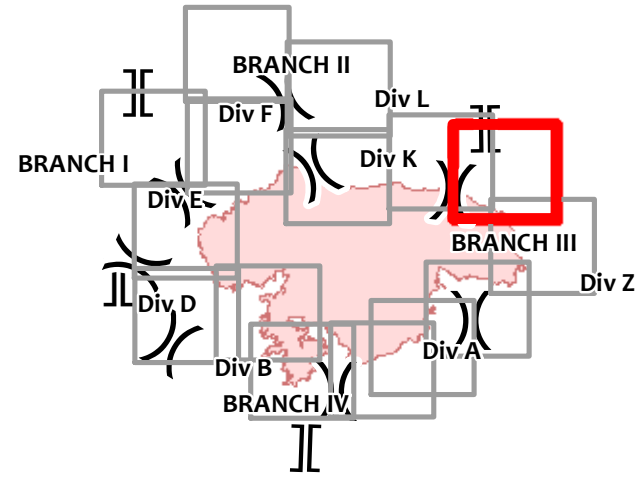
MMR Perimeter as of 8/19/2020 @ 2030

Approx acres 121,483

0 0.25 0.5
Miles

Created by KKolanoski, 8/19/2020

Coordinate System: NAD 1983 UTM Zone 13N



- Wildfire Daily Fire Perimeter
- Bridge
- Drop Point
- Hazard
- Repeater
- Retardant/Mud Pit
- Water Source
- Value at Risk
- Division Break
- Branch Break
- Completed Dozer Line
- Uncontrolled Fire Edge
- Contained Line
- Structures
- Oil and Gas Wells
- All Pipelines
- Grand Valley Power Transmission Lines
- BLM Colorado Roads and Trails**
- Motorized -
- Licensed Street-Legal Vehicle, Motorcycle, ATV, Bicycle, Equestrian, Hiking
- Garfield County Roads**
- Garfield County Roads
- Mesa County Roads
- Bureau of Land Management
- Private

T7S R97W
Sources: Esri, USGS, NOAA