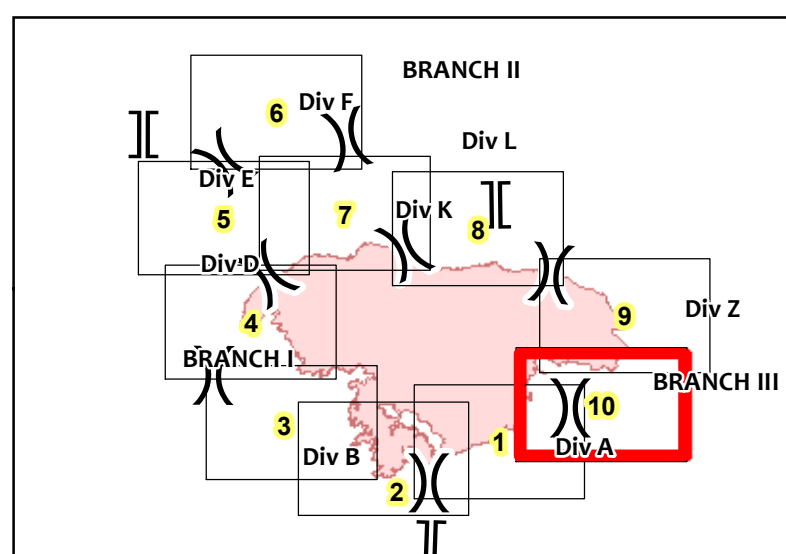


Div A



- |                               |                |                       |                         |                         |                                       |
|-------------------------------|----------------|-----------------------|-------------------------|-------------------------|---------------------------------------|
| Wildfire Daily Fire Perimeter | Hazard         | Pump                  | Contained Line          | Structures              | <b>Roads and Trails</b>               |
| Camp                          | Helispot       | Water Tank            | Completed Hand Line     | Road as Completed Line  |                                       |
| Dip Site                      | Safety Zone    | Water Source          | Completed Dozer Line    | Access or Improved Road | Grand Valley Power Transmission Lines |
| Drop Point                    | Value at Risk  | Road Closure Location | Access or Improved Road | Active Wells            | County                                |
| Dozer Push                    | Division Break |                       |                         | Abandoned Wells         | Bureau of Land Management             |
| Fence - Cut/Damaged           |                |                       |                         | Shut In Well            | Private                               |
|                               |                |                       |                         | Other                   |                                       |
|                               |                |                       |                         | All Pipelines           |                                       |

**PINE GULCH**  
**CO-GRD-000307**  
**8/27/2020 Night**  
 Div AZ , Map 10

IR Perimeter as of 8/26/2020 @ 2332  
 Approx acres 135,958

Created by KKolanoski, 8/27/2020  
 Coordinate System: NAD 1983 UTM Zone 13N