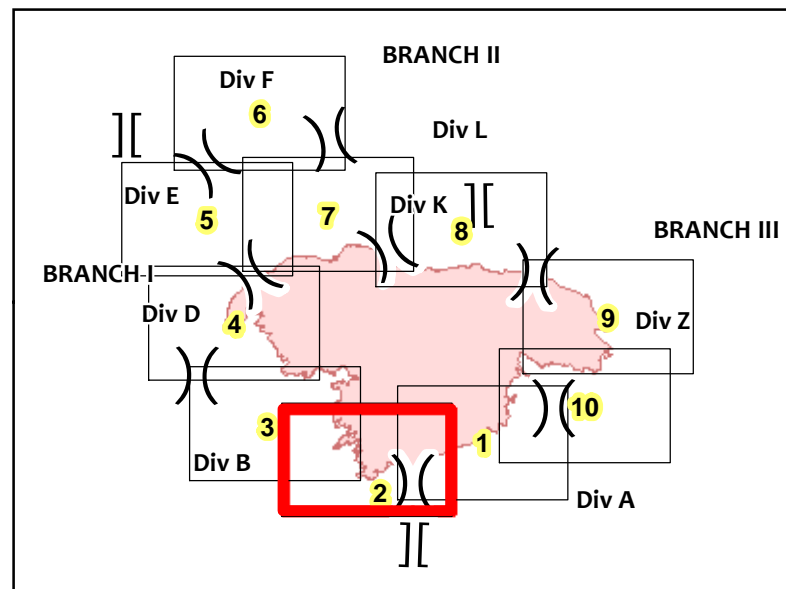





Div B

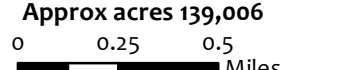


Wildfire Daily Fire Perimeter	Dozer Push	Uncontrolled Fire Edge	Wells	Roads and Trails
Dip Site	Helispot	Contained Line	Active Wells	BLM CO, Motorized
Drop Point	Division Break	Completed Hand Line	Abandoned Wells	BLM CO, Nonmotorized
	Completed Dozer Line	Access or Improved Road	Shut In Well	County Roads
		Proposed Dozer Line	Other	County
		Road Closure Location	Dormant Coal Fires	Bureau of Land Management
		Structures	All Pipelines	Private
		Grand Valley Power Transmission Lines		

PINE GULCH
CO-GRD-000307
8/29/2020 Day
Div B South, Map 2

IR Perimeter as of 8/28/2020 @ 0002
 Approx acres 139,006



Created by KKolanoski, 8/28/2020
 Coordinate System: NAD 1983 UTM Zone 13N