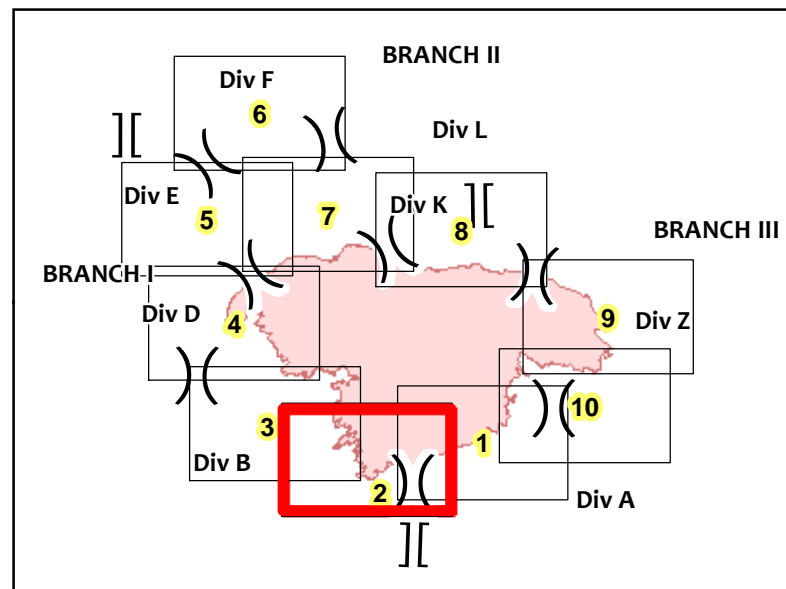


Div B



Wildfire Daily Fire Perimeter	Dozer Push	Uncontrolled Fire Edge	<b>Wells</b>	<b>Roads and Trails</b>
Dip Site	Helispot	Contained Line	Active Wells	BLM CO, Motorized
Drop Point	Division Break	Completed Hand Line	Abandoned Wells	BLM CO, Nonmotorized
	Division Break	Access or Improved Road	Shut In Well	County Roads
	Completed Dozer Line	Proposed Dozer Line	Other	County
		Planned Fire Line	Dormant Coal Fires	Bureau of Land Management
		Road Closure Location	All Pipelines	Private
		Structures		
		Grand Valley Power Transmission Lines		

**PINE GULCH**  
**CO-GRD-000307**  
**8/30/2020 Day**  
**Div B South, Map 2**

IR Perimeter as of 8/29/2020 @ 0114 hrs  
 Approx acres 139,006

Created by KKolanoski, 8/29/2020  
 Coordinate System: NAD 1983 UTM Zone 13N