

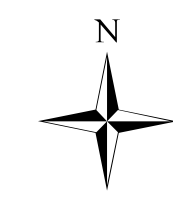


Tellico Fire

Ops Map

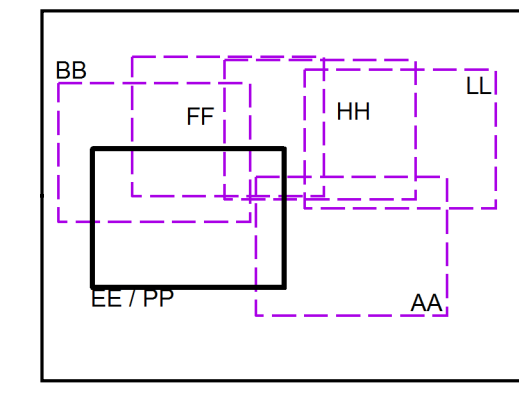
Div EE /
Div PP

11/20/2016
Day Shift

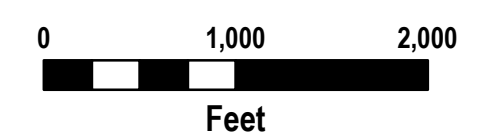
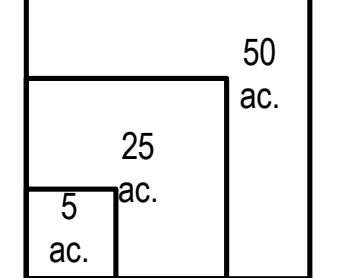


- Branch
 - Division
 - Uncontrolled Fire Edge
 - Completed Dozer Line
 - Completed Line
 - Hand Line
 - Road as Completed Line
 - Drop Point
 - Water Source
 - Mobile Weather Unit
 - Trail
 - Trail of Tears
 - Structure
- 750 foot buffer - total width of 1,500 feet

Index Map



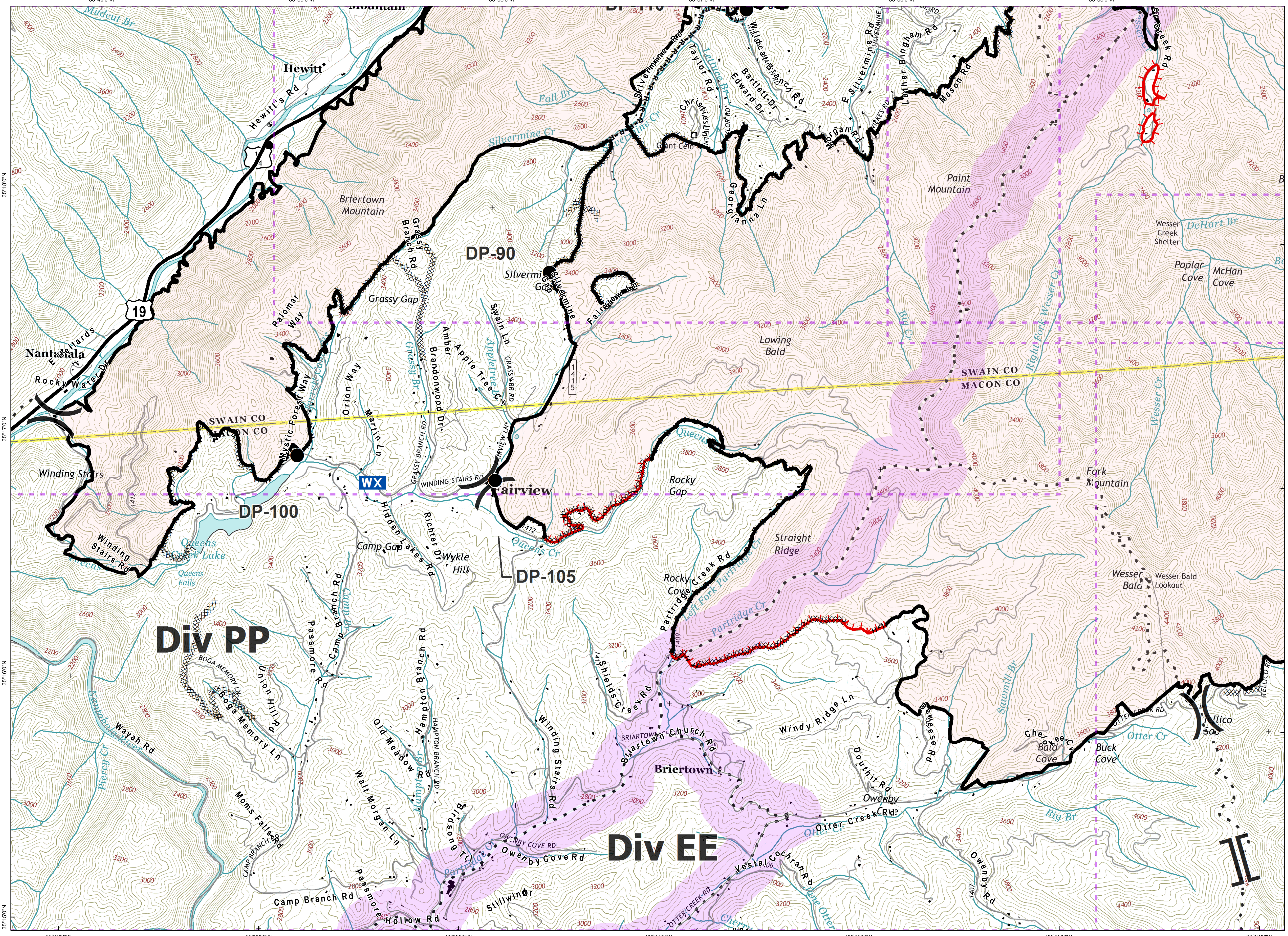
Download a GeoPDF



Information shown is based on the best available data at the time of map production.

Latest Intel: 20161119 @ 1930

20161119 @ 2045
Map Datum: NAD83 Feet
Author: D. Jones, GIS



Document Name: ops_tellico_20161119_2045_ansi_d_land_NCNC160280_1120day