

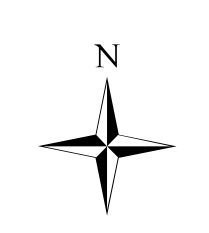


Tellico Fire

Ops Map

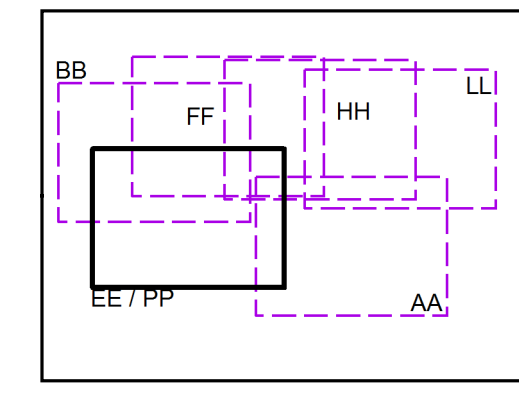
Div EE /
Div PP

11/21/2016
Day Shift

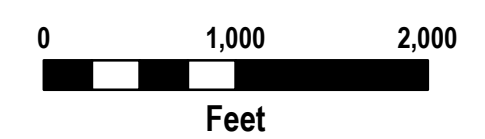
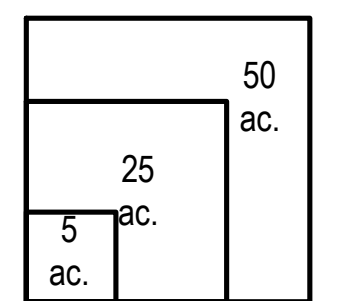


- Branch
- Division
- Uncontrolled Fire Edge
- Completed Dozer Line
- Completed Line
- Hand Line
- Road as Completed Line
- Drop Point
- Water Source
- Water Weather Unit
- Trail
- Trail of Tears
- 750 foot buffer - total width of 1,500 feet
- Structure

Index Map



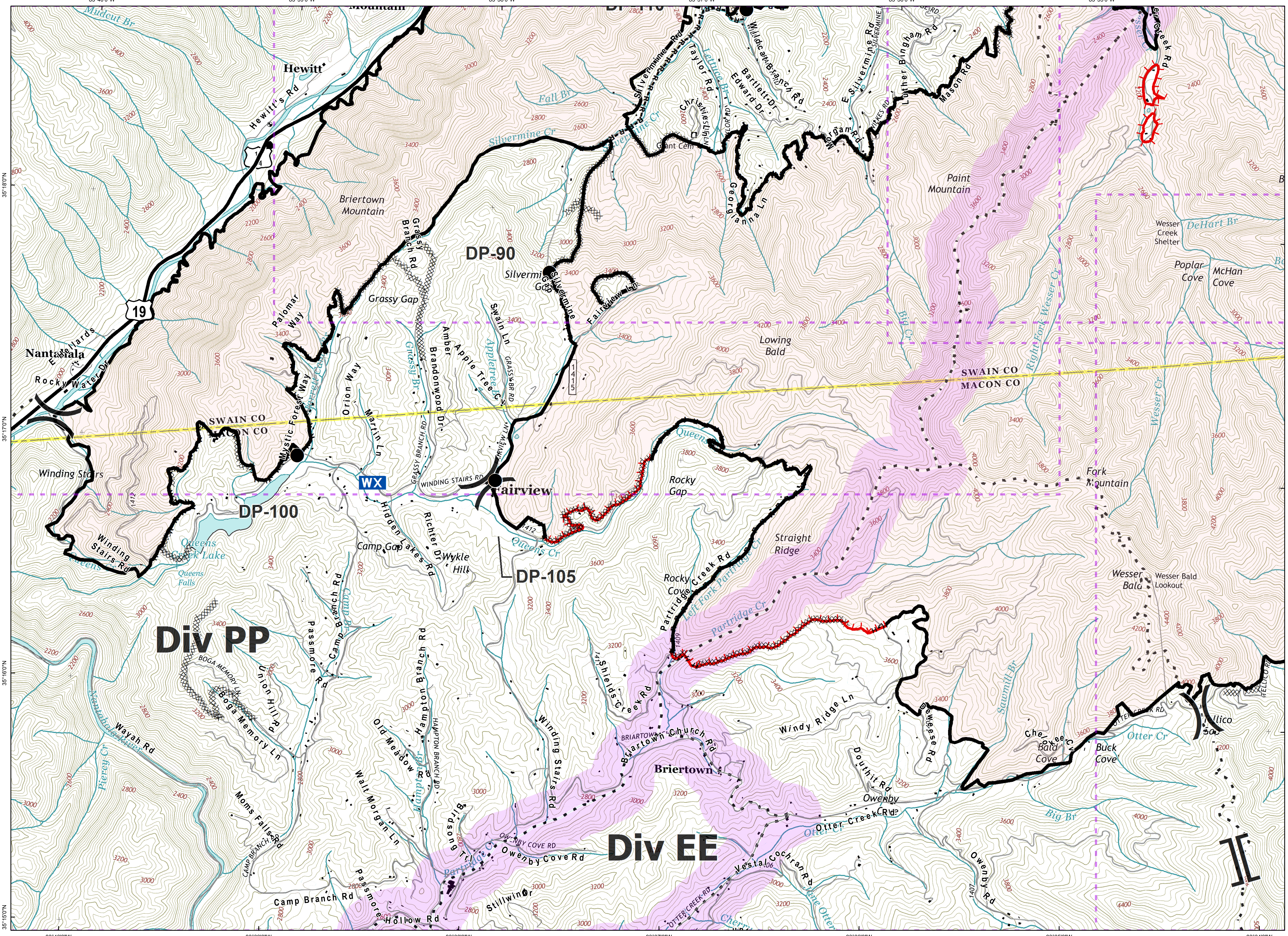
Download a GeoPDF



Information shown is based on the best available data at the time of map production.

Latest Intel: 20161120 @ 2022

20161120 @ 2025
Map Datum: NAD83 Feet
Author: D. Jones, GIS



Document Name: ops_tellico_20161120_2047_ansi_d_land_NCNC160280_1121day