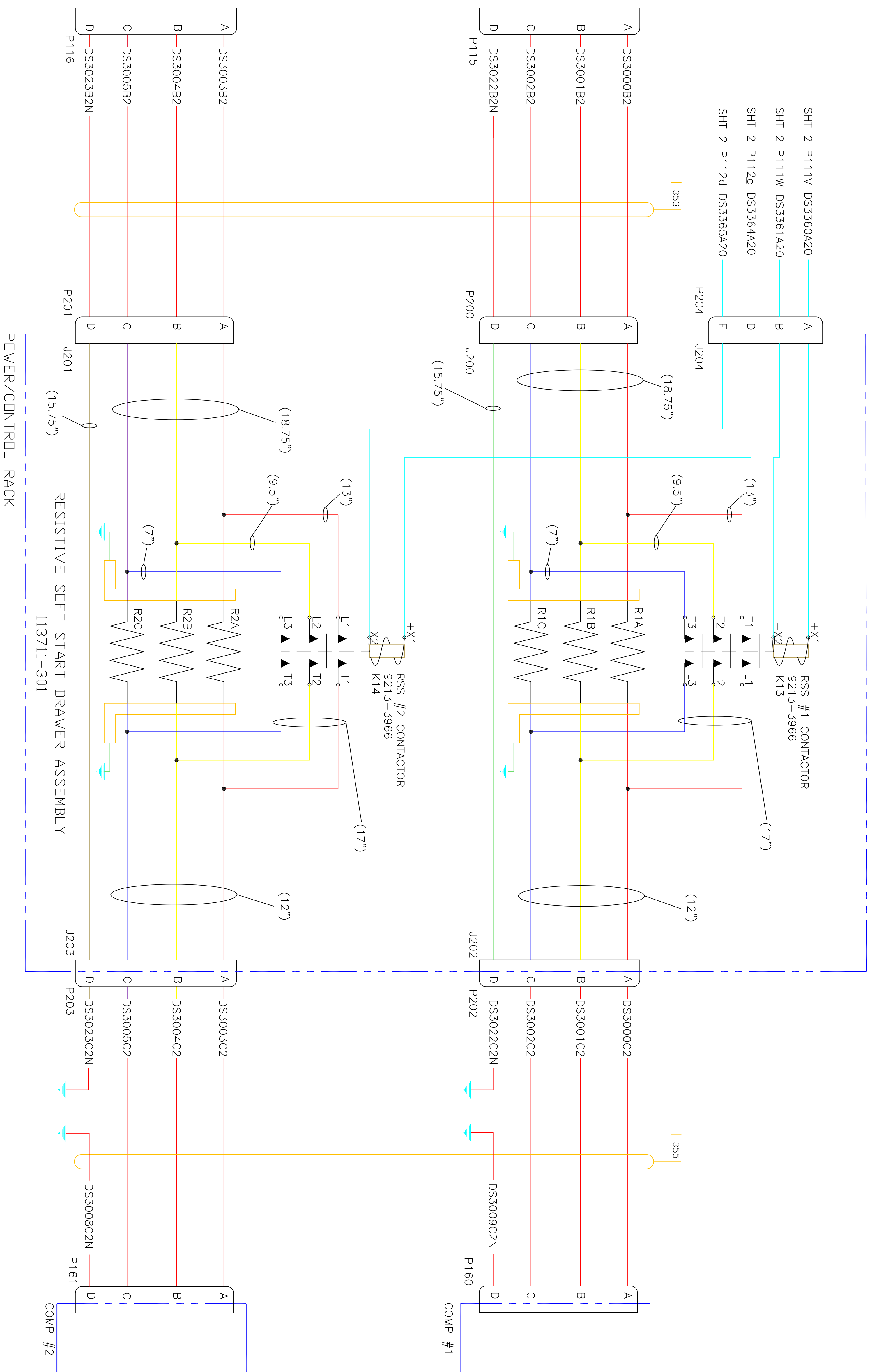


NOTE:
 1. WIRE RESISTOR ASSEMBLIES AS SHOWN:
 PHASE A = TOP
 PHASE B = MIDDLE
 PHASE C = BOTTOM



SIZE	CAGE NO	DWG NO	REV
D	66959	113020	T
SCALE			SHEET
			7