

Coordinate System: NAD 1983 UTM Zone 13N
Projection: Transverse Mercator
Datum: North American 1983

This map is not a legal document. Features may be generalized for this map scale. Private lands within government reservations may not be shown. Obtain permission before entering private lands.

This map was produced by the Big Bend National Park GIS Program. Initial styling of this map document was provided by the US Geological Survey. The edited content in this document are neither done by nor endorsed by the USGS.

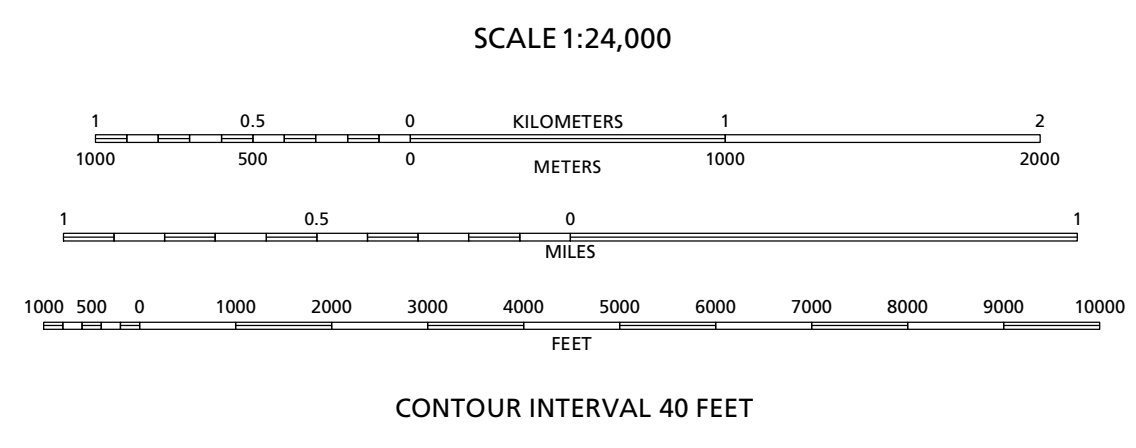
Contours (U. S.).....U. S. Geologic Survey, 2016
Hydrography.....U. S. Geologic Survey, 2016
Trails, roads, park features.....Big Bend National Park, 2018

Springs and intermittent drainages are not reliable water sources. Carry drinking water and check current conditions before travelling in the backcountry.

UTM GRID AND 2018 MAGNETIC NORTH
± 0.32° (0° 19')

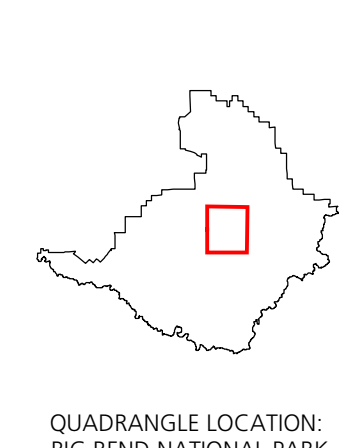
Changing by 0.1° (0° 6') W per year
Source: National Oceanic and Atmospheric Administration
Model: WMM2015

U.S. National Grid
100,000-m Square ID
FN
Grid Zone Designation
13R



ADJOINING QUADRANGLES

Sombrero Peak	Grapevine Hills	McKinney Springs
The Basin	Panther Junction	Roy Peak
Emory Peak	Glenn Springs	San Vicente



- Legend**
- ▲ Primitive Campsite
 - Spring
 - △ Summit
 - ⊠ Visitor center
 - Trail - Moderately Developed
 - - - Trail - Developed
 - Major Paved Road
 - - - Improved Dirt Road
 - - - Primitive Dirt Road
 - Restricted Access Paved Road
 - - - Restricted Access Unpaved Road